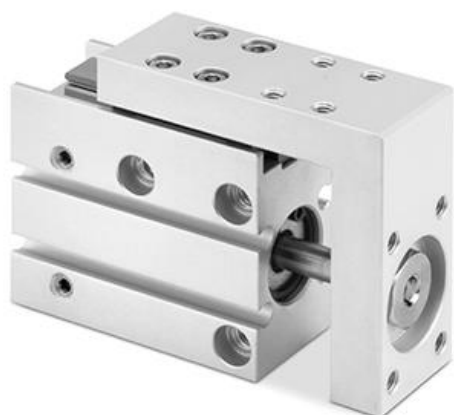


Pneumatic mini slides - Series MSN

Product code: MSN10-25

Datasheet creation date: 10/03/2025 02:29

Check the most updated document online [click here](#)

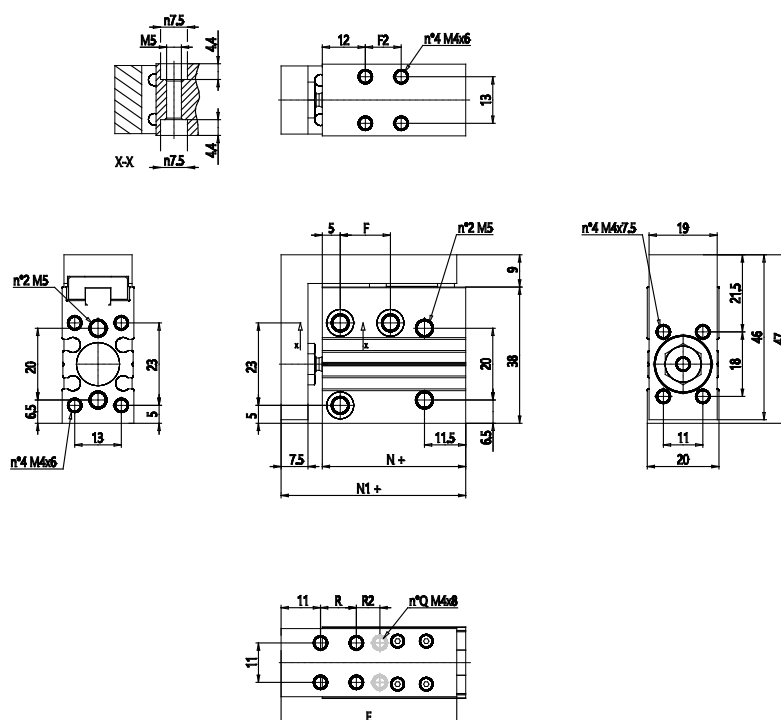


TECHNICAL DATA

| | |
|----------------|-----|
| Series | MSN |
| Bore size (mm) | 10 |

Pneumatic mini slides - Series MSN

Product code: MSN10-25



DIMENSIONS

| | |
|----------|--------|
| F2 (mm) | 30 |
| F (mm) | 30.000 |
| R (mm) | 30.000 |
| R2 (mm) | - |
| E (mm) | 69.000 |
| N+ (mm) | 60.0 |
| N1+ (mm) | 71.5 |
| Q (mm) | 4.000 |