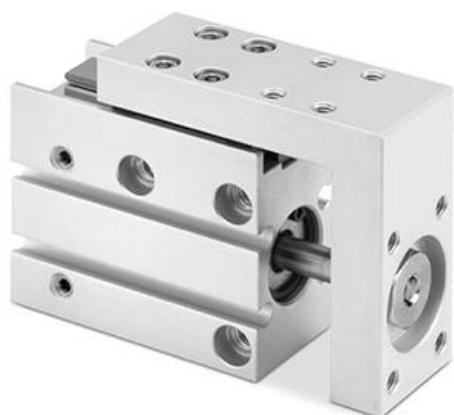


## Pneumatic mini slides - Series MSN

Product code: MSN16-30

Datasheet creation date: 10/03/2025 02:29

Check the most updated document online [click here](#)

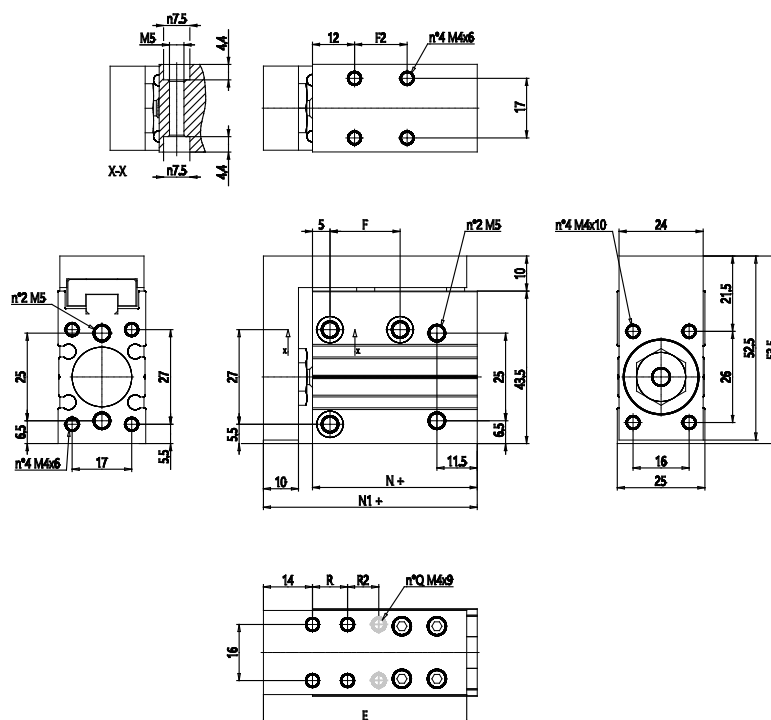


### TECHNICAL DATA

Series	MSN
Bore size (mm)	16

## Pneumatic mini slides - Series MSN

Product code: MSN16-30



### DIMENSIONS

<b>F2 (mm)</b>	40
<b>F (mm)</b>	40.000
<b>R (mm)</b>	30.000
<b>R2 (mm)</b>	-
<b>E (mm)</b>	78.000
<b>N+ (mm)</b>	72.0
<b>N1+ (mm)</b>	86.0
<b>Q (mm)</b>	4.000