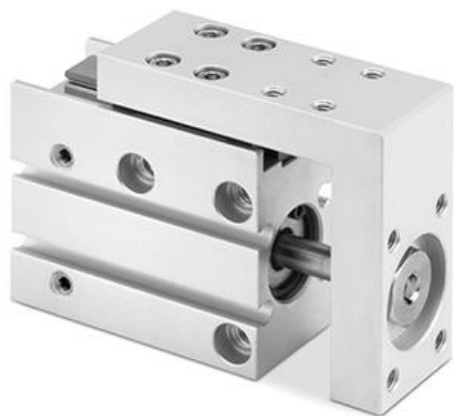


Pneumatic mini slides - Series MSN

Product code: MSN16-60

Datasheet creation date: 10/03/2025 02:29

Check the most updated document online [click here](#)

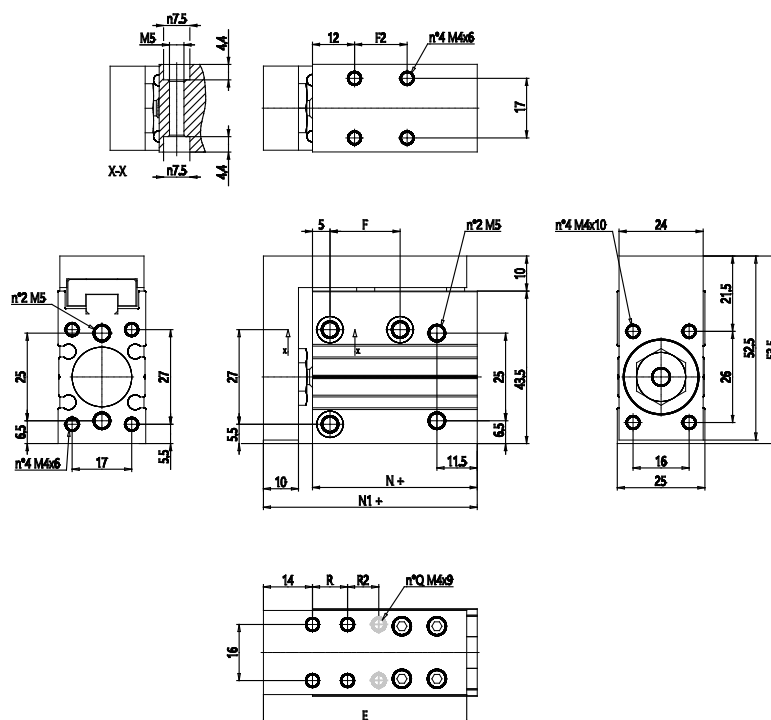


TECHNICAL DATA

| | |
|----------------|-----|
| Series | MSN |
| Bore size (mm) | 16 |

Pneumatic mini slides - Series MSN

Product code: MSN16-60



DIMENSIONS

| | |
|-----------------|---------|
| F2 (mm) | 70 |
| F (mm) | 60.000 |
| R (mm) | 30.000 |
| R2 (mm) | 30 |
| E (mm) | 108.000 |
| N+ (mm) | 102.0 |
| N1+ (mm) | 116.0 |
| Q (mm) | 6.000 |