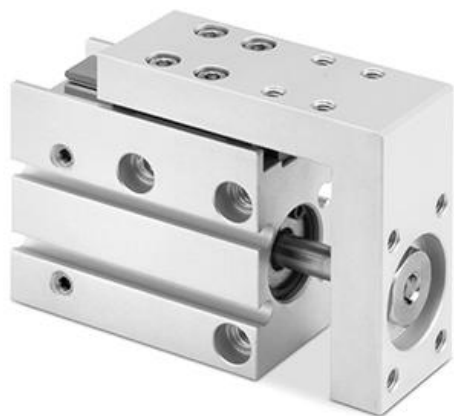


Pneumatic mini slides - Series MSN

Product code: MSN20-50

Datasheet creation date: 10/03/2025 02:30

Check the most updated document online [click here](#)

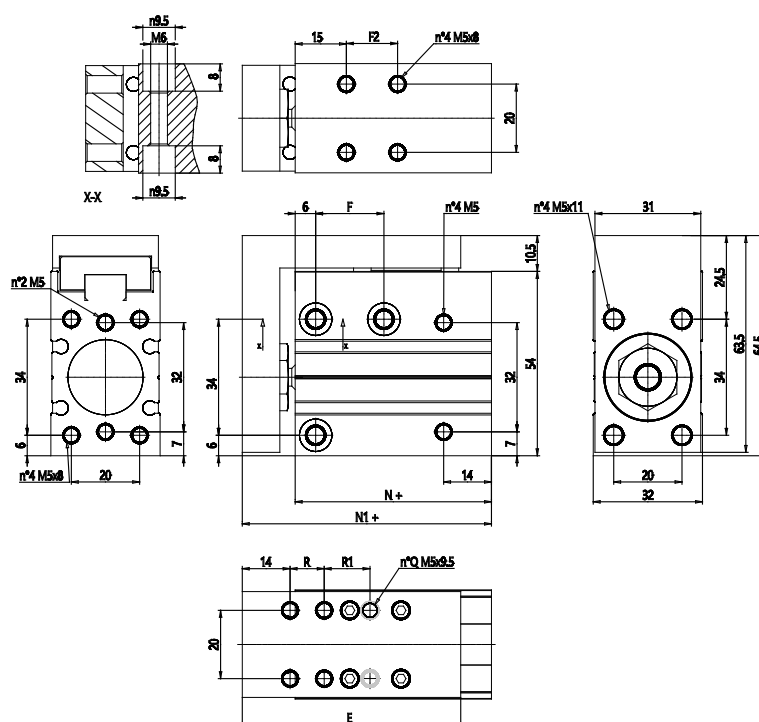


TECHNICAL DATA

Series	MSN
Bore size (mm)	20

Pneumatic mini slides - Series MSN

Product code: MSN20-50



DIMENSIONS

F2 (mm)	60
F (mm)	70.000
R (mm)	25.000
R2 (mm)	25
E (mm)	104.000
N+ (mm)	102.5
N1+ (mm)	118.0
Q (mm)	6.000