

Pneumatic mini slides - Series MST

Product code: MST25-100

Datasheet creation date: 10/03/2025 02:27

Check the most updated document online [click here](#)

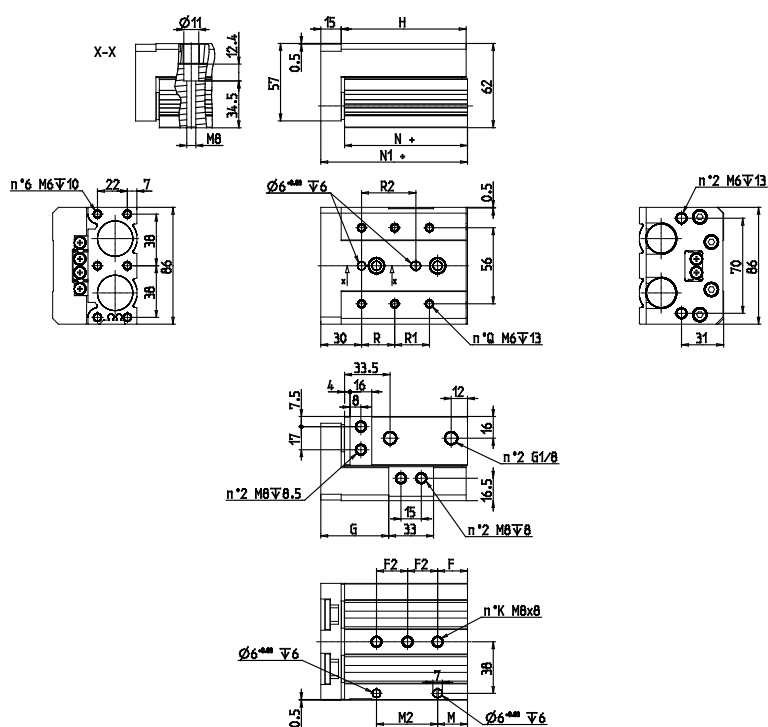


TECHNICAL DATA

Series	MST
Bore size (mm)	25

Pneumatic mini slides - Series MST

Product code: MST25-100



DIMENSIONS

M2 (mm)	70.0
M (mm)	102
F (mm)	32
F2 (mm)	35
R (mm)	70
R2 (mm)	70
G (mm)	140.0
H (mm)	197
P (mm)	0.0
N+ (mm)	195.5
N1+ (mm)	213
N (mm)	6
K (mm)	5
Q (mm)	6