

## Pneumatic mini slides - Series MST

Product code: MST25-125

Datasheet creation date: 10/03/2025 02:27

Check the most updated document online [click here](#)

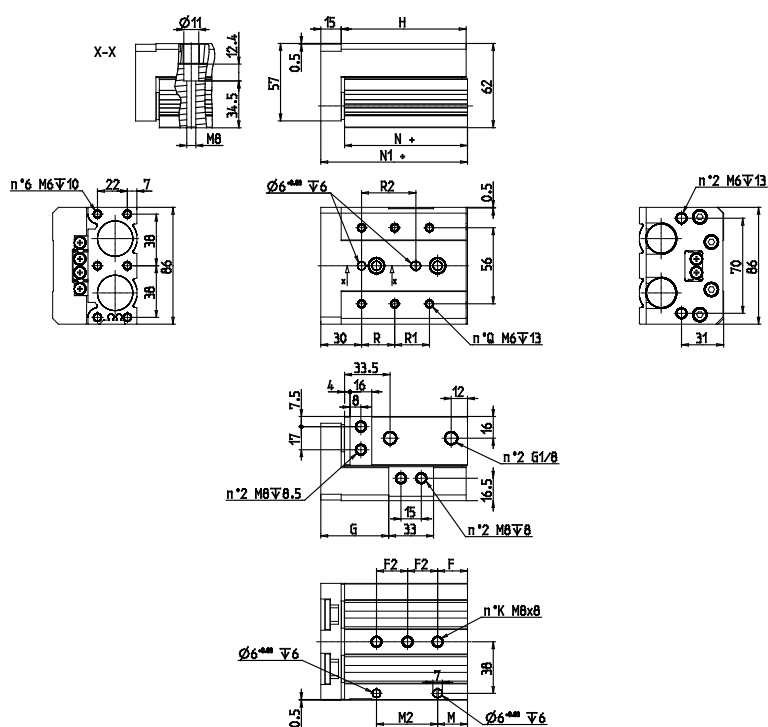


### TECHNICAL DATA

Series	MST
Bore size (mm)	25

## Pneumatic mini slides - Series MST

Product code: MST25-125



### DIMENSIONS

M2 (mm)	76.0
M (mm)	154
F (mm)	40
F2 (mm)	38
R (mm)	75
R2 (mm)	75
G (mm)	165.0
H (mm)	255
P (mm)	0.0
N+ (mm)	253.5
N1+ (mm)	271
N (mm)	8
K (mm)	6
Q (mm)	8