

## Pneumatic mini slides - Series MST

Product code: MST25-75

Datasheet creation date: 10/03/2025 02:28

Check the most updated document online [click here](#)

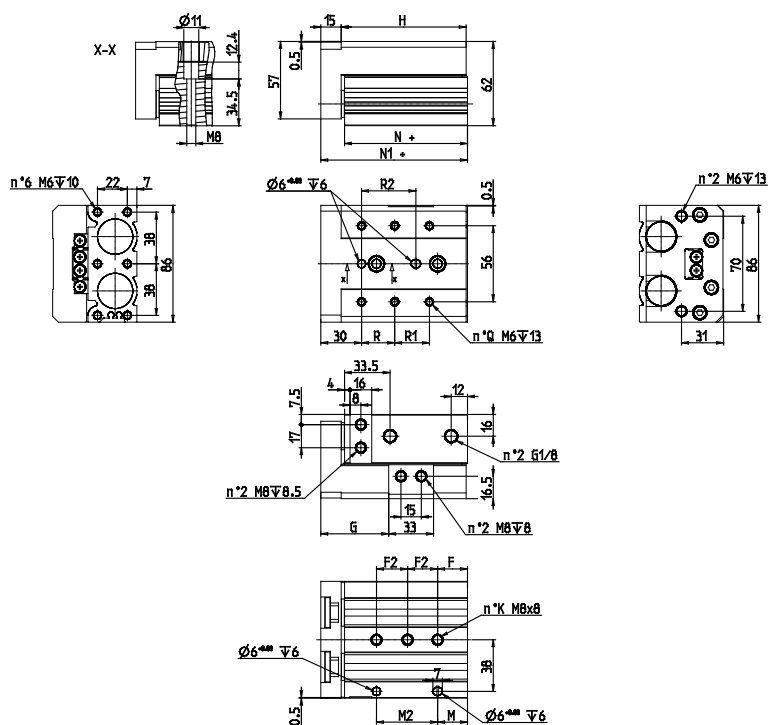


### ■ TECHNICAL DATA

Series	MST
Bore size (mm)	25

## Pneumatic mini slides - Series MST

Product code: MST25-75



### DIMENSIONS

M2 (mm)	70.0
M (mm)	61
F (mm)	26
F2 (mm)	35
R (mm)	60
R2 (mm)	60
G (mm)	115.0
H (mm)	156
P (mm)	0.0
N+ (mm)	154.5
N1+ (mm)	172
N (mm)	6
K (mm)	4
Q (mm)	6