

## Assembly group 000002 - Series MX

Product code: MX2-1/2-000002

Datasheet creation date: 20/05/2026 08:44

Check the most updated document online [click here](#)

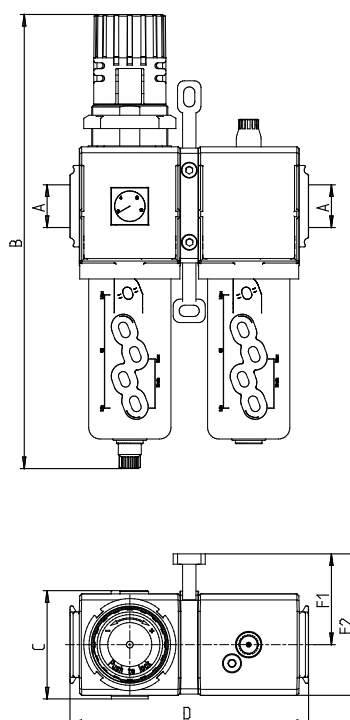


### TECHNICAL DATA

Mod.	MX2-1/2-000002
------	----------------

## Assembly group 000002 - Series MX

Product code: MX2-1/2-000002



### **DIMENSIONS**

<b>A</b>	G 1/2
<b>B (mm)</b>	290
<b>C (mm)</b>	74.5
<b>D (mm)</b>	140
<b>F1 (mm)</b>	70.5
<b>F2 (mm)</b>	104.5