

Filters - Series MX

Product code: MX2-1/2-F10-LH

Datasheet creation date: 10/03/2025 01:13

Check the most updated document online [click here](#)

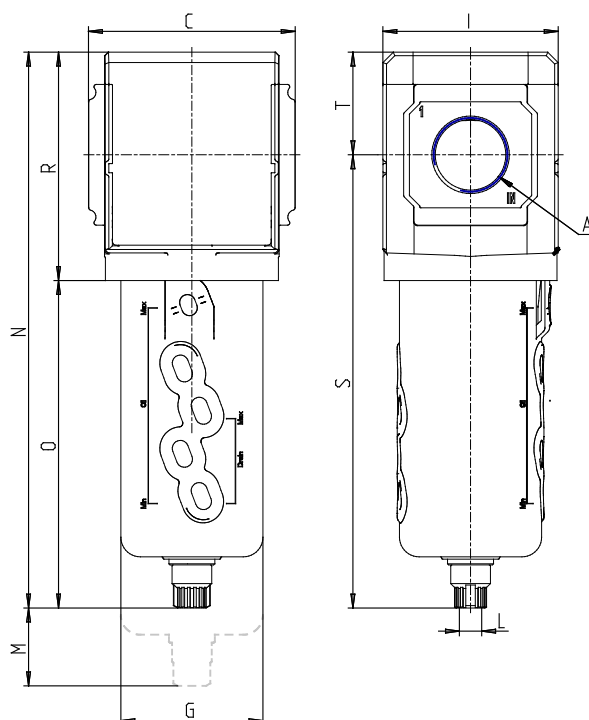


TECHNICAL DATA

Series	MX
Size	2
Ports (IN - OUT)	1/2 = G1/2
Filter	F
Filtering element	1 = 5 µm
Draining of condensate	0 = semiautomatic-manual drain
Visual blockage indicator	= not present
Flow direction	LH= from right to left

Filters - Series MX

Product code: MX2-1/2-F10-LH



DIMENSIONS

A	G1/2
C (mm)	70.0
D (mm)	18.5
G (mm)	55.3
I (mm)	68
L	G 1/8
M (mm)	80
N (mm)	212.0
O (mm)	127.0
P (mm)	19.5
R (mm)	85
S (mm)	174.5
T (mm)	37.5
Weight (kg)	0.5