

## Filters - Series MX

Product code: MX2-1/2-F131-LH

Datasheet creation date: 10/03/2025 01:13

Check the most updated document online [click here](#)

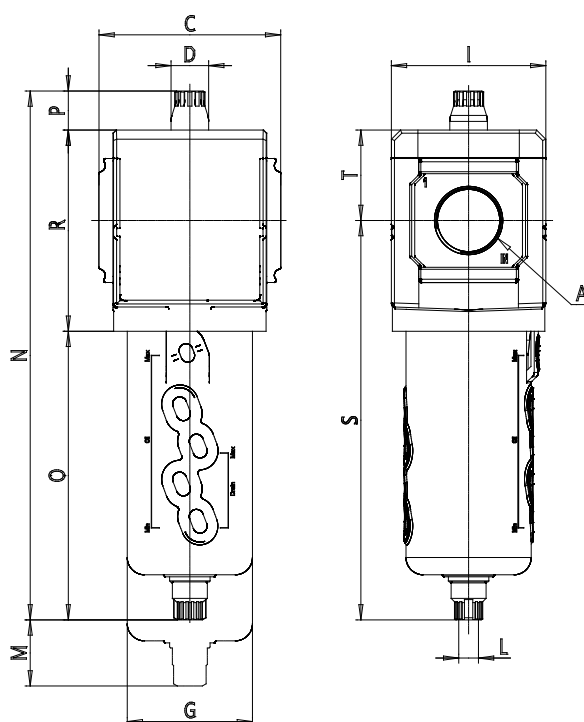


### TECHNICAL DATA

<b>Series</b>	MX
<b>Size</b>	2
<b>Ports (IN - OUT)</b>	1/2 = G1/2
<b>Filter</b>	F
<b>Filtering element</b>	1 = 5 µm
<b>Draining of condensate</b>	3 = automatic drain
<b>Visual blockage indicator</b>	1 = present
<b>Flow direction</b>	LH= from right to left

## Filters - Series MX

Product code: MX2-1/2-F131-LH



### DIMENSIONS

<b>A</b>	G1/2
<b>C (mm)</b>	70.0
<b>D (mm)</b>	18.5
<b>G (mm)</b>	55.3
<b>I (mm)</b>	68
<b>L</b>	G 1/8
<b>M (mm)</b>	80
<b>N (mm)</b>	231.0
<b>O (mm)</b>	127.0
<b>P (mm)</b>	19.5
<b>R (mm)</b>	85
<b>S (mm)</b>	174.5
<b>T (mm)</b>	37.5
<b>Weight (kg)</b>	0.5