

Coalescing filters - Series MX

Product code: MX2-1/2-FC001-LH

Datasheet creation date: 20/05/2026 08:05

Check the most updated document online [click here](#)

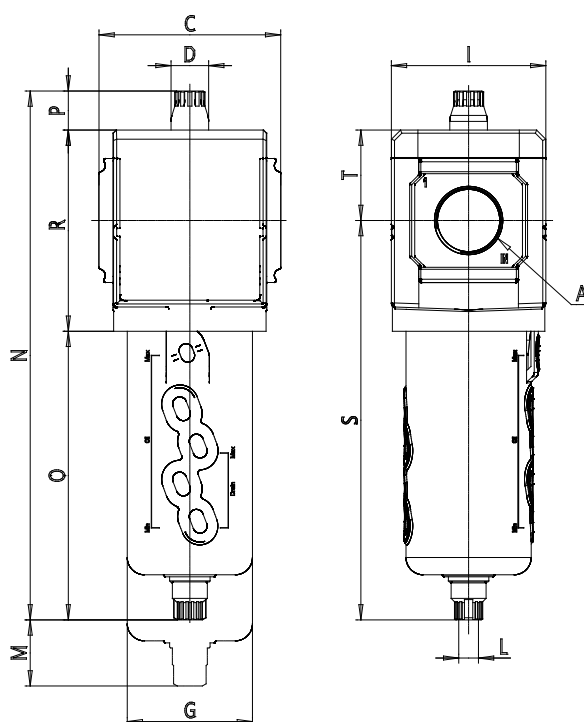


TECHNICAL DATA

Series	MX
Size	2
Ports (IN - OUT)	1/2 = G1/2
Coalescing filter	FC
Filtering element	0 = 0.01 µm (standard)
Draining of condensate	0 = semiautomatic-manual drain
Visual blockage indicator	1 = present
Flow direction	LH = from right to left

Coalescing filters - Series MX

Product code: MX2-1/2-FC001-LH



DIMENSIONS

A	G1/2
C (mm)	70.0
D (mm)	18.5
G (mm)	55.3
I (mm)	68
L	G 1/8
M (mm)	75
N (mm)	231
O (mm)	127
P (mm)	19.5
R (mm)	85
S (mm)	174.5
T (mm)	37.5
Weight (kg)	0.5