

## Filter-regulators - Series MX

Product code: MX2-1/2-FR0000-LH

Datasheet creation date: 10/03/2025 01:20

Check the most updated document online [click here](#)

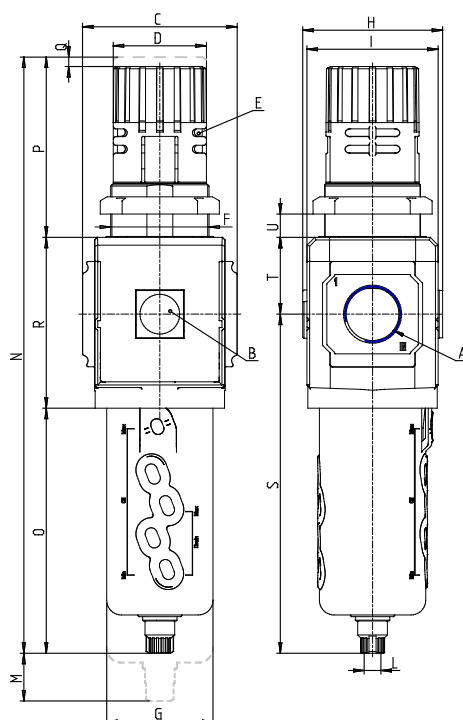


### TECHNICAL DATA

<b>Series</b>	MX
<b>Size</b>	2
<b>PORTS (IN - OUT)</b>	1/2 = G1/2
<b>Filter-regulator</b>	FR
<b>Filtering element</b>	0 = 25 µm with relieving (standard)
<b>Draining of condensate</b>	0 = semiautomatic-manual drain (standard - only for polymer bowl)
<b>Operating pressure</b>	0 = 0.5 ÷ 10 bar (standard)
<b>Pressure gauge</b>	0 = without pressure gauge (with threaded port)
<b>Flow direction</b>	LH = from right to left

## Filter-regulators - Series MX

Product code: MX2-1/2-FR0000-LH



### DIMENSIONS

A	G1/2
B (bar)	0-12 bar
C (mm)	70.0
D (mm)	45
E (mm)	Ø4.5
E2 (mm)	9.5
F (mm)	M47x1.5
G (mm)	55.5
H (mm)	74.5
I (mm)	68
L	G 1/8
M (mm)	80
N (mm)	290
O (mm)	127
P (mm)	78
Q (mm)	5
R (mm)	85
S (mm)	174.5
T (mm)	37.5
U (mm)	0÷16
Weight (kg)	0.8