

## Filter-regulators - Series MX

Product code: MX2-1/2-FR1073-LH

Datasheet creation date: 10/03/2025 01:21

Check the most updated document online [click here](#)

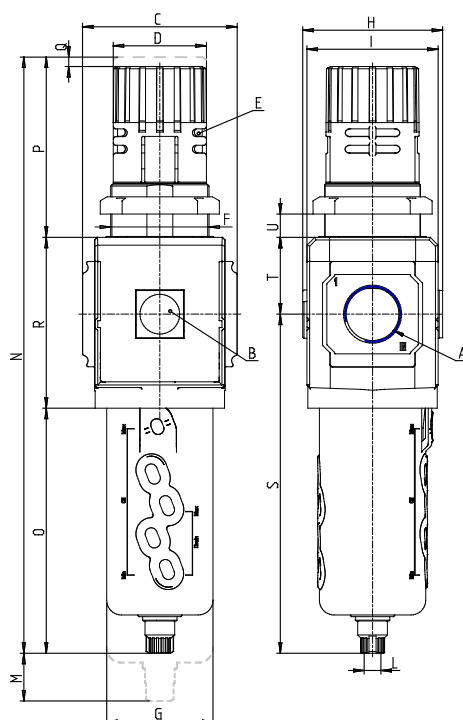


### TECHNICAL DATA

|                               |  |
|-------------------------------|--|
| <b>Series</b>                 | MX   |
| <b>Size</b>                   | 2  |
| <b>PORTS (IN - OUT)</b>       | 1/2 = G1/2   |
| <b>Filter-regulator</b>       | FR   |
| <b>Filtering element</b>      | 1 = 5 µm with relieving  |
| <b>Draining of condensate</b> | 0 = semiautomatic-manual drain (standard - only for polymer bowl)      |
| <b>Operating pressure</b>     | 7 = 0.5 ÷ 7 bar  |
| <b>Pressure gauge</b>         | 3 = with built-in pressure gauge 0-10 and working pressure 0.5 ÷ 7 bar |
| <b>Flow direction</b>         | LH = from right to left  |

## Filter-regulators - Series MX

Product code: MX2-1/2-FR1073-LH



### DIMENSIONS

|                    |          |
|--------------------|----------|
| <b>A</b>           | G1/2     |
| <b>B (bar)</b>     | 0-12 bar |
| <b>C (mm)</b>      | 70.0     |
| <b>D (mm)</b>      | 45       |
| <b>E (mm)</b>      | Ø4.5     |
| <b>E2 (mm)</b>     | 9.5      |
| <b>F (mm)</b>      | M47x1.5  |
| <b>G (mm)</b>      | 55.5     |
| <b>H (mm)</b>      | 74.5     |
| <b>I (mm)</b>      | 68       |
| <b>L</b>           | G 1/8    |
| <b>M (mm)</b>      | 80       |
| <b>N (mm)</b>      | 290      |
| <b>O (mm)</b>      | 127      |
| <b>P (mm)</b>      | 78       |
| <b>Q (mm)</b>      | 5        |
| <b>R (mm)</b>      | 85       |
| <b>S (mm)</b>      | 174.5    |
| <b>T (mm)</b>      | 37.5     |
| <b>U (mm)</b>      | 0÷16     |
| <b>Weight (kg)</b> | 0.8      |