

Pressure regulators - Series MX

Product code: MX2-1/2-M402

Datasheet creation date: 10/03/2025 01:28

Check the most updated document online [click here](#)

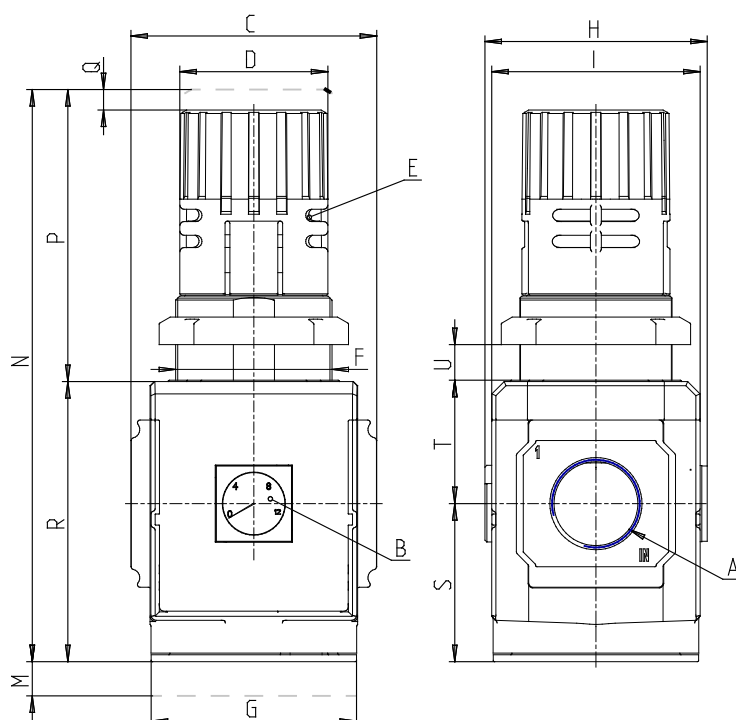


TECHNICAL DATA

| | |
|---------------------------|-----------------------------------------------------------------------|
| Series | MX |
| Size | 2 |
| PORTS (IN - OUT) | 1/2 = G1/2 |
| Type of regulator | M = Manifold pressure regulator |
| Operating pressure | 4 = 0.5 ÷ 4 bar |
| Design type | 0 = relieving (standard) |
| Pressure gauge | 2 = with built-in pressure gauge 0-6 and working pressure 0.5 ÷ 4 bar |
| Flow direction | = from left to right (standard) |

Pressure regulators - Series MX

Product code: MX2-1/2-M402



DIMENSIONS

| | |
|--------------------|----------|
| A | G1/2 |
| B (bar) | 0-12 bar |
| C (mm) | 70.0 |
| D (mm) | 45 |
| F (mm) | M47x1.5 |
| G (mm) | 70 |
| H (mm) | 74.5 |
| I (mm) | 68 |
| M (mm) | 45 |
| N (mm) | 166 |
| P (mm) | 78 |
| Q (mm) | 5 |
| R (mm) | 88 |
| S (mm) | 50.5 |
| T (mm) | 37.5 |
| U (mm) | 0±13 |
| Weight (kg) | 0.6 |