

## Pressure regulators - Series MX

Product code: MX2-1/2-R000-LH

Datasheet creation date: 10/03/2025 01:28

Check the most updated document online [click here](#)

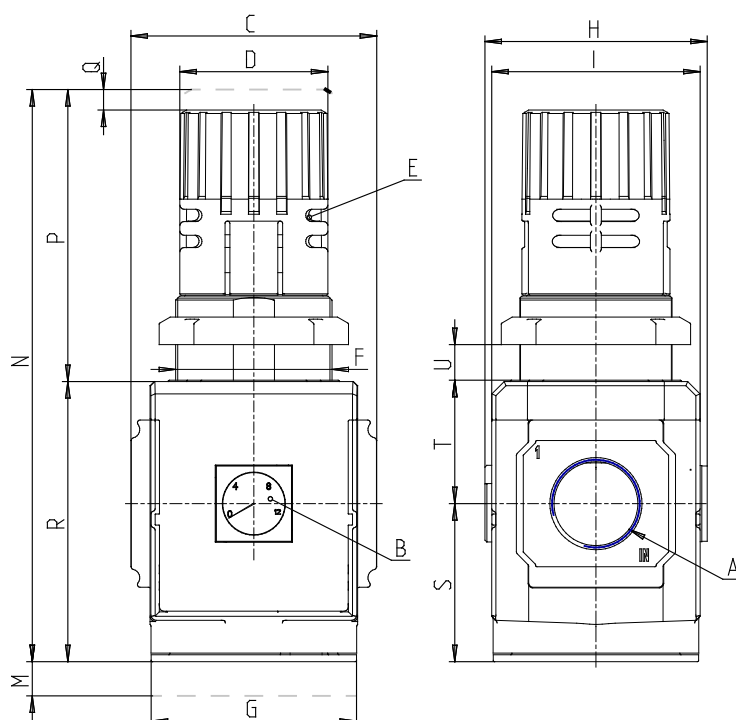


### TECHNICAL DATA

<b>Series</b>	MX
<b>Size</b>	2
<b>PORTS (IN - OUT)</b>	1/2 = G1/2
<b>Type of regulator</b>	R = pressure regulator
<b>Operating pressure</b>	0 = 0.5 ÷ 10 bar (standard)
<b>Design type</b>	0 = relieving (standard)
<b>Pressure gauge</b>	0 = without pressure gauge (with threaded port)
<b>Flow direction</b>	LH = from right to left

## Pressure regulators - Series MX

Product code: MX2-1/2-R000-LH



### DIMENSIONS

<b>A</b>	G1/2
<b>B (bar)</b>	0-12 bar
<b>C (mm)</b>	70.0
<b>D (mm)</b>	45
<b>F (mm)</b>	M47x1.5
<b>G (mm)</b>	70
<b>H (mm)</b>	74.5
<b>I (mm)</b>	68
<b>M (mm)</b>	45
<b>N (mm)</b>	166
<b>P (mm)</b>	78
<b>Q (mm)</b>	5
<b>R (mm)</b>	88
<b>S (mm)</b>	50.5
<b>T (mm)</b>	37.5
<b>U (mm)</b>	0±13
<b>Weight (kg)</b>	0.6