

Proportional pressure regulator and proportional flow valve - Series MX-PRO

Product code: MX2-1/2-RCA214

Datasheet creation date: 10/03/2025 00:41

Check the most updated document online [click here](#)

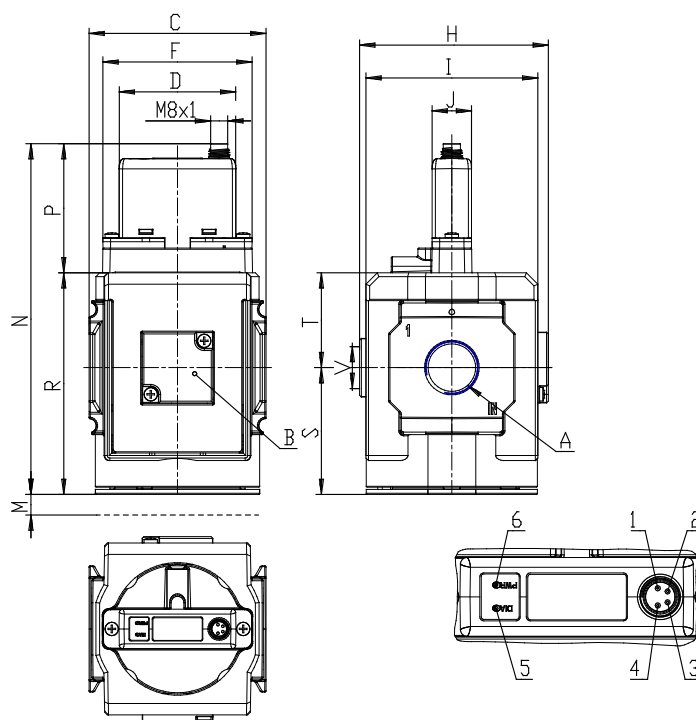


TECHNICAL DATA

Series	MX
Size	2
Port	1/2=G1/2
Functioning	R = pressure regulator
Command	CA = electrical command 4-20 mA
Regulator adjustment range	2 = working pressure 0 ± 10 bar
Design type	1= without relieving
Pressure gauge	4 = with built-in pressure gauge 0-12 bar
Flow direction	= from left to right (standard)

Proportional pressure regulator and proportional flow valve - Series MX-PRO

Product code: MX2-1/2-RCA214



DIMENSIONS

Series	MX
Size	2
Port	1/2=G1/2
Functioning	R = pressure regulator
Command	CA = electrical command 4-20 mA
Regulator adjustment range	2 = working pressure 0 ± 10 bar
Design type	1 = without relieving
Pressure gauge	4 = with built-in pressure gauge 0-12 bar
Flow direction	= from left to right (standard)