

## Pneumatic pilot operated pressure regulators - Series MX

Product code: MX2-1/2-RCP010

Datasheet creation date: 10/03/2025 01:27

Check the most updated document online [click here](#)

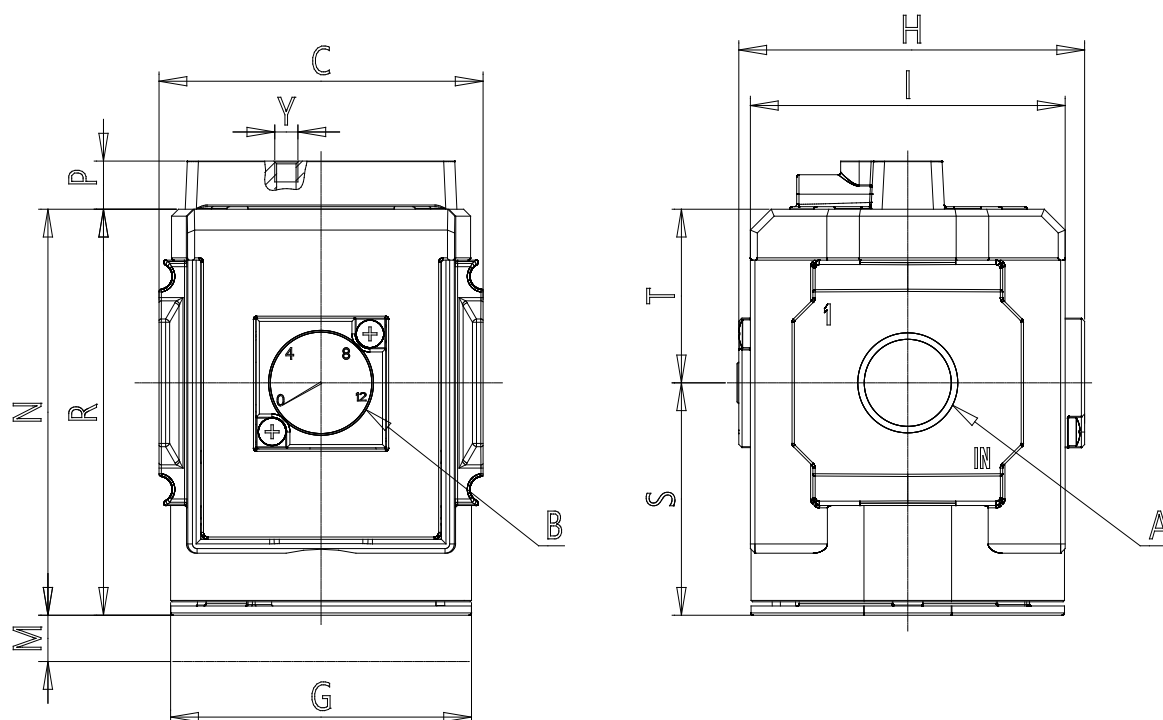


### TECHNICAL DATA

<b>Series</b>	MX
<b>Size</b>	2
<b>Ports (IN - OUT)</b>	1/2 = G1/2
<b>Type of regulator</b>	R = pressure regulator
<b>COMMAND</b>	CP = pneumatic piloting
<b>Working pressure</b>	0 = 0.5 ÷ 10 bar
<b>DESIGN TYPE</b>	1 = without relieving
<b>Pressure gauge</b>	0 = without manometer, threaded body
<b>Flow direction</b>	= from left to right (standard)

## Pneumatic pilot operated pressure regulators - Series MX

Product code: MX2-1/2-RCP010



### DIMENSIONS

<b>A (mm)</b>	G1/2
<b>B (mm)</b>	0 ÷ 12
<b>C (mm)</b>	70
<b>G (mm)</b>	65.0
<b>H (mm)</b>	74.5
<b>I (mm)</b>	68
<b>M (mm)</b>	45
<b>Y (piloting) (mm)</b>	M5
<b>N (mm)</b>	98
<b>P (mm)</b>	10
<b>R (mm)</b>	88
<b>S (mm)</b>	50.5
<b>T (mm)</b>	37.5
<b>Weight (kg)</b>	0.5