

## Proportional pressure regulator and proportional flow valve - Series MX-PRO

Product code: MX2-1/2-RCV404

Datasheet creation date: 10/03/2025 00:42

Check the most updated document online [click here](#)

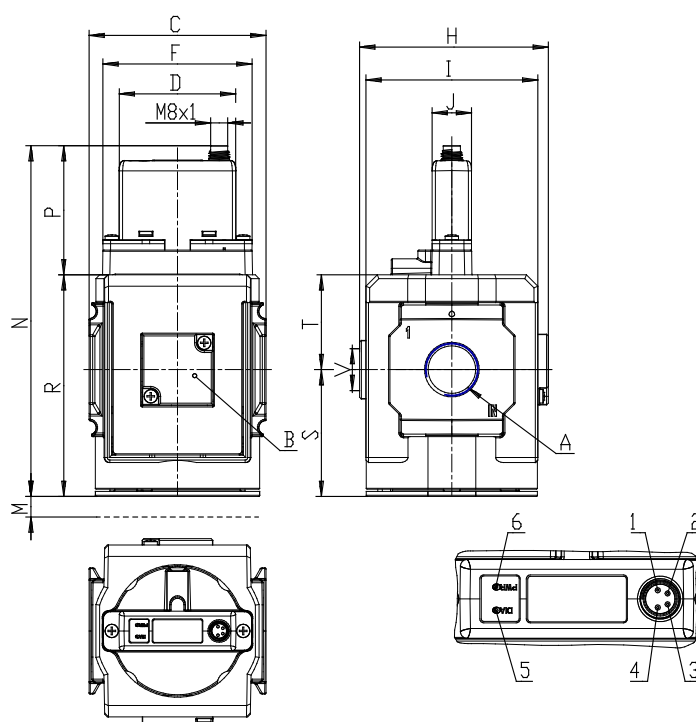


### TECHNICAL DATA

<b>Series</b>	MX
<b>Size</b>	2
<b>Port</b>	1/2=G1/2
<b>Functioning</b>	R = pressure regulator
<b>Command</b>	CV = electrical command 0-10 V DC
<b>Regulator adjustment range</b>	4 = working pressure 0 ± 7 bar
<b>Design type</b>	0 = relieving
<b>Pressure gauge</b>	4 = with built-in pressure gauge 0-12 bar
<b>Flow direction</b>	= from left to right (standard)

## Proportional pressure regulator and proportional flow valve - Series MX-PRO

Product code: MX2-1/2-RCV404



### DIMENSIONS

<b>Series</b>	MX
<b>Size</b>	2
<b>Port</b>	1/2=G1/2
<b>Functioning</b>	R = pressure regulator
<b>Command</b>	CV = electrical command 0-10 V DC
<b>Regulator adjustment range</b>	4 = working pressure $0 \pm 7$ bar
<b>Design type</b>	0 = relieving
<b>Pressure gauge</b>	4 = with built-in pressure gauge 0-12 bar
<b>Flow direction</b>	= from left to right (standard)