

## Isolation 3/2-way valves - Series MX

Product code: MX2-1/2-V16

Datasheet creation date: 10/03/2025 01:31

Check the most updated document online [click here](#)

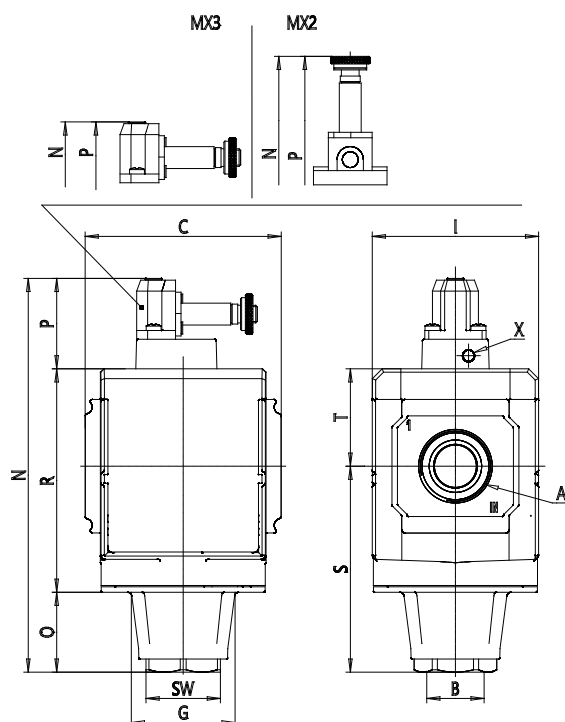


### TECHNICAL DATA

|                         |                                 |
|-------------------------|---------------------------------|
| <b>Series</b>           | MX                              |
| <b>Size</b>             | 2                               |
| <b>Ports (IN - OUT)</b> | 1/2 = G1/2                      |
| <b>3/2-way valve</b>    | V                               |
| <b>Design type</b>      | 16 = electro-pneumatic control  |
| <b>Flow direction</b>   | = from left to right (standard) |

## Isolation 3/2-way valves - Series MX

Product code: MX2-1/2-V16



### DIMENSIONS

|              |       |
|--------------|-------|
|              | G1/2  |
| (mm)         | G 1/2 |
| (mm)         | 70.0  |
| (mm)         | -     |
| (mm)         | 34.5  |
| (mm)         | 68    |
| (mm)         | -     |
| (mm)         | -     |
| (mm)         | 171.0 |
| (mm)         | 13    |
| (mm)         | 70.0  |
| (mm)         | -     |
| (mm)         | 88    |
| (mm)         | 63.5  |
| (mm)         | 27    |
| (mm)         | 37.5  |
|              | -     |
| Y (piloting) | -     |
| Weight (kg)  | 0.5   |