

3/2-way quick exhaust single safety valves - Series MX SAFEMAX

Product code: MX2-1/2-V1620CA

Datasheet creation date: 10/03/2025 01:31

Check the most updated document online [click here](#)

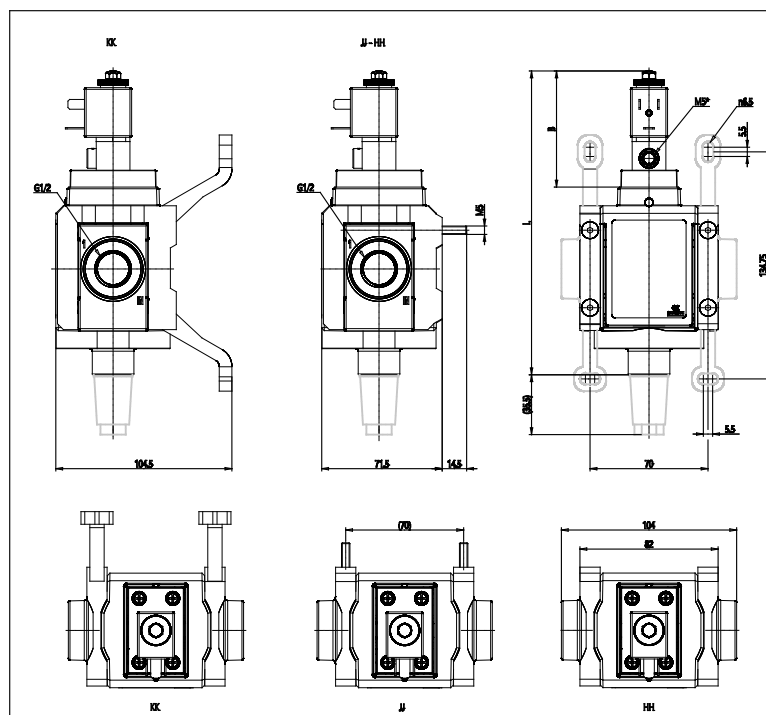


TECHNICAL DATA

Series	MX
Size	2
Port	1/2 = G1/2
Component	V = 3/2 way valve
Construction	16 = internal servo pilot
Channel	2 = single
Accessories	0 = without silencer
Sensor	C = ATEX sensor 2mt cable
Version	A = ATEX
Mounting	= without mounting accessories
Flow direction	= from left to right (standard)
L (mm)	175
B (mm)	63

3/2-way quick exhaust single safety valves - Series MX SAFEMAX

Product code: MX2-1/2-V1620CA



DIMENSIONS

Series	MX
Size	2
Port	1/2 = G1/2
Component	V = 3/2 way valve
Construction	16 = internal servo pilot
Channel	2 = single
Accessories	0 = without silencer
Sensor	C = ATEX sensor 2mt cable
Version	A = Atex
Mounting	= without mounting accessories
Flow direction	= from left to right (standard)
L (mm)	175
B (mm)	63