

## 3/2-way quick exhaust safety double valves - Series MX SAFEMAX

Product code: MX2-1/2-V1640AB

Datasheet creation date: 10/03/2025 01:33

Check the most updated document online [click here](#)

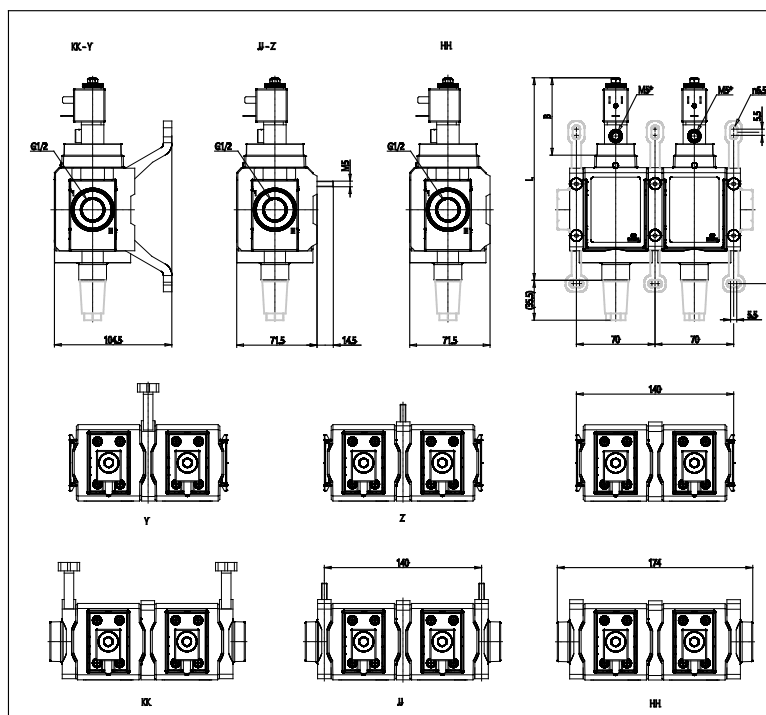


### TECHNICAL DATA

<b>Series</b>	MX
<b>Size</b>	2
<b>Port</b>	1/2 = G1/2
<b>Component</b>	V = 3/2 way valve
<b>Construction</b>	16 = internal servo pilot
<b>Channel</b>	4 = double
<b>Accessories</b>	0 = without silencer
<b>Sensor</b>	A = UL sensor 2mt cable
<b>Version</b>	B = UL
<b>Mounting</b>	= without mounting accessories
<b>Flow direction</b>	= from left to right (standard)
<b>L (mm)</b>	175
<b>B (mm)</b>	63

## 3/2-way quick exhaust safety double valves - Series MX SAFEMAX

Product code: MX2-1/2-V1640AB



### DIMENSIONS

<b>Series</b>	MX
<b>Size</b>	2
<b>Port</b>	1/2 = G1/2
<b>Component</b>	V = 3/2 way valve
<b>Construction</b>	16 = internal servo pilot
<b>Channel</b>	4 = double
<b>Accessories</b>	0 = without silencer
<b>Sensor</b>	A = UL sensor 2mt cable
<b>Version</b>	B = UL
<b>Mounting</b>	= without mounting accessories
<b>Flow direction</b>	= from left to right (standard)
<b>L (mm)</b>	175
<b>B (mm)</b>	63