

## 3/2-way quick exhaust safety double valves - Series MX SAFEMAX

Product code: MX2-1/2-V1640EC-KK

Datasheet creation date: 10/03/2025 01:34

Check the most updated document online [click here](#)

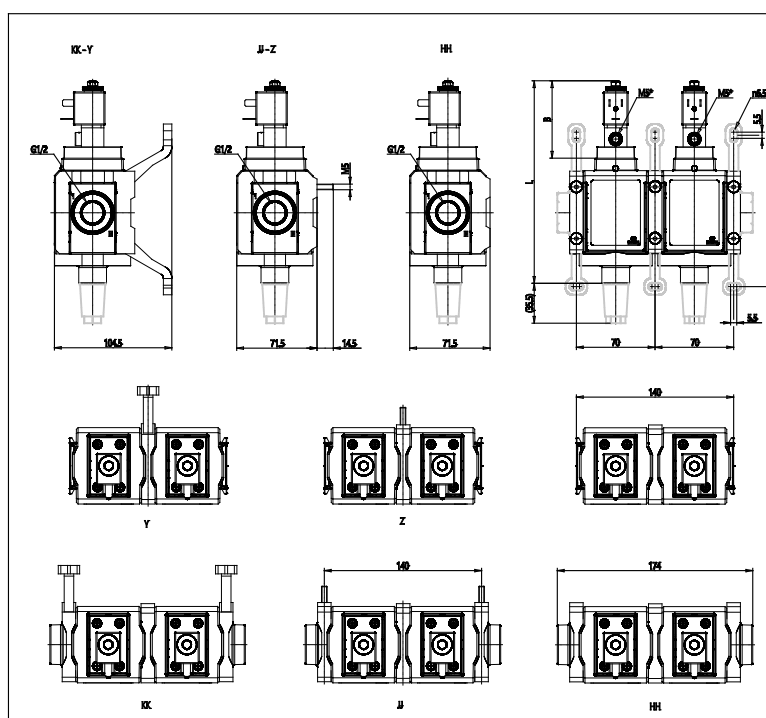


### TECHNICAL DATA

|                       |  |
|-----------------------|--|
| <b>Series</b>         | MX                                     |
| <b>Size</b>           | 2                                      |
| <b>Port</b>           | 1/2 = G1/2                             |
| <b>Component</b>      | V = 3/2 way valve                      |
| <b>Construction</b>   | 16 = internal servo pilot              |
| <b>Channel</b>        | 4 = double                             |
| <b>Accessories</b>    | 0 = without silencer                   |
| <b>Sensor</b>         | E = CE sensor M8 connector 300mm cable |
| <b>Version</b>        | C = CE                                 |
| <b>Mounting</b>       | KK = side wall brackets and flanges    |
| <b>Flow direction</b> | = from left to right (standard)        |
| <b>L (mm)</b>         | 175                                    |
| <b>B (mm)</b>         | 63                                     |

## 3/2-way quick exhaust safety double valves - Series MX SAFEMAX

Product code: MX2-1/2-V1640EC-KK



### DIMENSIONS

|                       |  |
|-----------------------|--|
| <b>Series</b>         | MX                                     |
| <b>Size</b>           | 2                                      |
| <b>Port</b>           | 1/2 = G1/2                             |
| <b>Component</b>      | V = 3/2 way valve                      |
| <b>Construction</b>   | 16 = internal servo pilot              |
| <b>Channel</b>        | 4 = double                             |
| <b>Accessories</b>    | 0 = without silencer                   |
| <b>Sensor</b>         | E = CE sensor M8 connector 300mm cable |
| <b>Version</b>        | C = CE                                 |
| <b>Mounting</b>       | KK = side wall brackets and flanges    |
| <b>Flow direction</b> | = from left to right (standard)        |
| <b>L (mm)</b>         | 175                                    |
| <b>B (mm)</b>         | 63                                     |