

3/2-way quick exhaust safety double valves - Series MX SAFEMAX

Product code: MX2-1/2-V1641AB

Datasheet creation date: 10/03/2025 01:35

Check the most updated document online [click here](#)

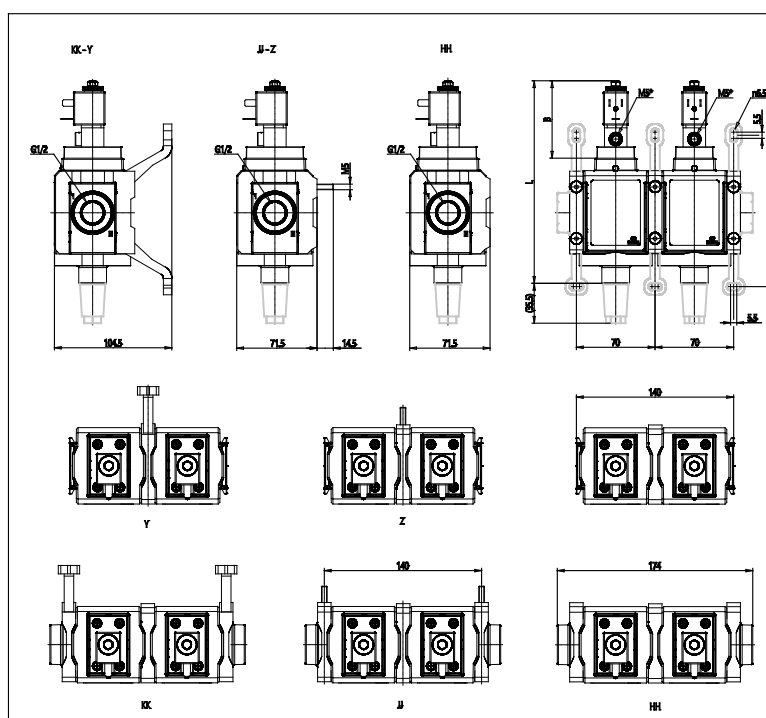


TECHNICAL DATA

Series	MX
Size	2
Port	1/2 = G1/2
Component	V = 3/2 way valve
Construction	16 = internal servo pilot
Channel	4 = double
Accessories	1 = with silencer
Sensor	A = UL sensor 2mt cable
Version	B = UL
Mounting	= without mounting accessories
Flow direction	= from left to right (standard)
L (mm)	175
B (mm)	63

3/2-way quick exhaust safety double valves - Series MX SAFEMAX

Product code: MX2-1/2-V1641AB



DIMENSIONS

Series	MX
Size	2
Port	1/2 = G1/2
Component	V = 3/2 way valve
Construction	16 = internal servo pilot
Channel	4 = double
Accessories	1 = with silencer
Sensor	A = UL sensor 2mt cable
Version	B = UL
Mounting	= without mounting accessories
Flow direction	= from left to right (standard)
L (mm)	175
B (mm)	63