

3/2-way quick exhaust safety double valves - Series MX SAFEMAX

Product code: MX2-1/2-V1741EC

Datasheet creation date: 10/03/2025 01:38

Check the most updated document online [click here](#)

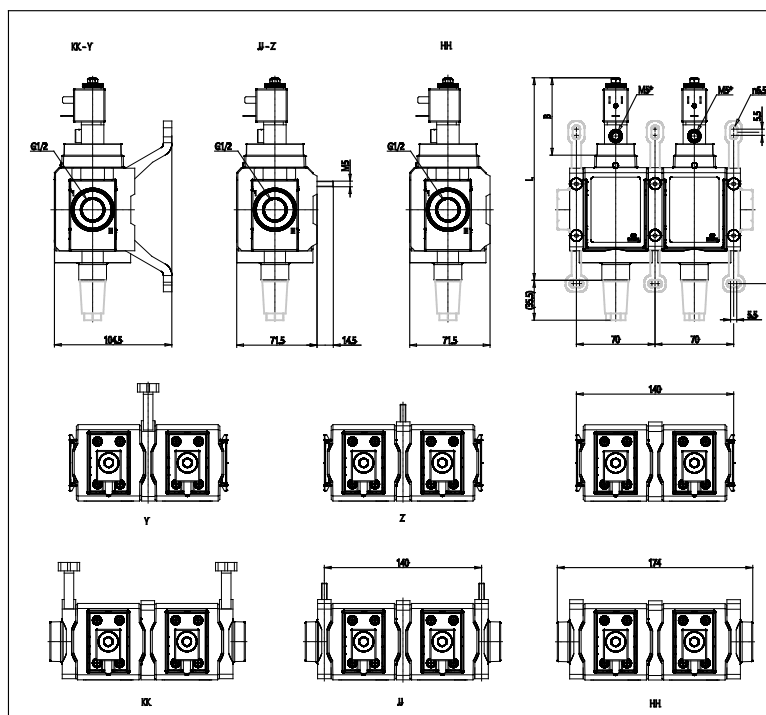


TECHNICAL DATA

Series	MX
Size	2
Port	1/2 = G1/2
Component	V = 3/2 way valve
Construction	17 = external servo pilot
Channel	4 = double
Accessories	1 = with silencer
Sensor	E = CE sensor M8 connector 300mm cable
Version	C = CE
Mounting	= without mounting accessories
Flow direction	= from left to right (standard)
L (mm)	180.5
B (mm)	69

3/2-way quick exhaust safety double valves - Series MX SAFEMAX

Product code: MX2-1/2-V1741EC



DIMENSIONS

Series	MX
Size	2
Port	1/2 = G1/2
Component	V = 3/2 way valve
Construction	17 = external servo pilot
Channel	4 = double
Accessories	1 = with silencer
Sensor	E = CE sensor M8 connector 300mm cable
Version	C = CE
Mounting	= without mounting accessories
Flow direction	= from left to right (standard)
L (mm)	180.5
B (mm)	69