

3/2-way quick exhaust safety valves with soft start - Series MX SAFEMAX

Product code: MX2-1/2-V1820EC-KK

Datasheet creation date: 10/03/2025 01:39

Check the most updated document online [click here](#)

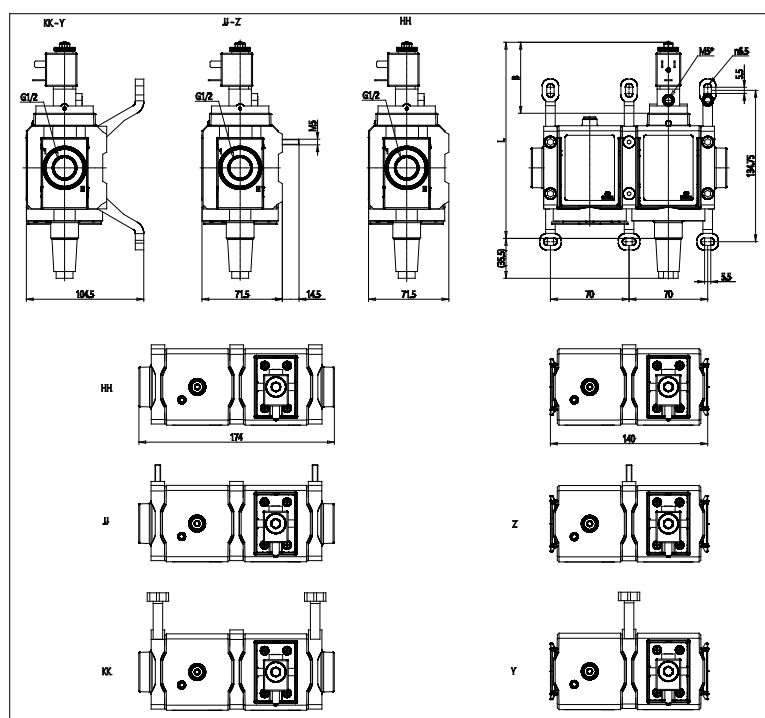


TECHNICAL DATA

Series	MX
Size	2
Connection	1/2 = G1/2
Component	V = 3/2 way valve
Construction	18 = internal piloting, with soft start valve
Channel	2 = single
Accessories	0 = without silencer
Sensors	E = CE sensor with M8 connector and 300mm cable
Version	C = CE
Mounting	KK = side wall brackets and flanges
Flow direction	= from left to right (standard)
L (mm)	175
B (mm)	63

3/2-way quick exhaust safety valves with soft start - Series MX SAFEMAX

Product code: MX2-1/2-V1820EC-KK



DIMENSIONS

Series	MX
Size	2
Connection	1/2 = G1/2
Component	V = 3/2 way valve
Construction	18 = internal piloting, with soft start valve
Channel	2 = single
Accessories	0 = without silencer
Sensors	E = CE sensor with M8 connector and 300mm cable
Version	C = CE
Mounting	KK = side wall brackets and flanges
Flow direction	= from left to right (standard)
L (mm)	175
B (mm)	63