

## 3/2-way quick exhaust safety valves with soft start - Series MX SAFEMAX

Product code: MX2-1/2-V1821CA-KK

Datasheet creation date: 10/03/2025 01:40

Check the most updated document online [click here](#)

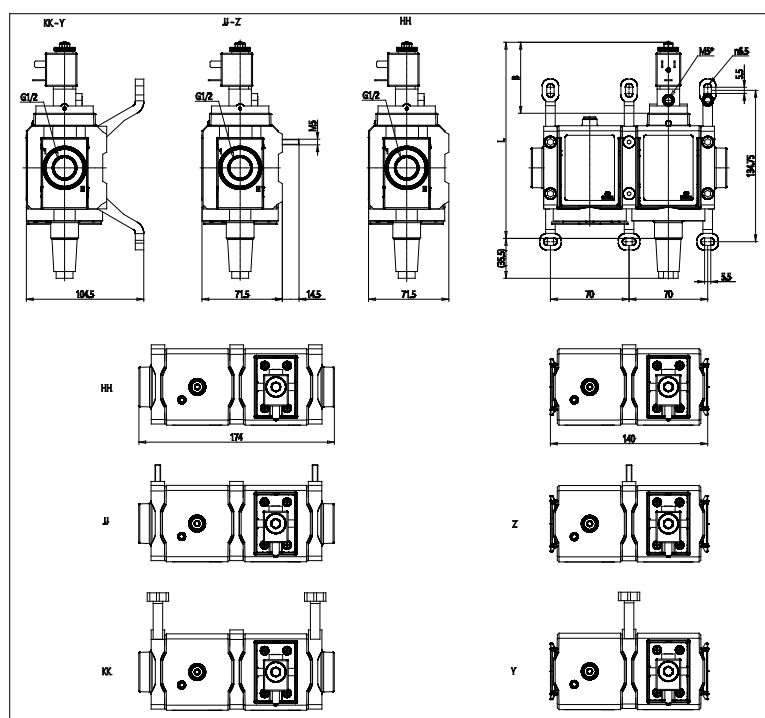


### TECHNICAL DATA

<b>Series</b>	MX
<b>Size</b>	2
<b>Connection</b>	1/2 = G1/2
<b>Component</b>	V = 3/2 way valve
<b>Construction</b>	18 = internal piloting, with soft start valve
<b>Channel</b>	2 = single
<b>Accessories</b>	1 = with silencer
<b>Sensors</b>	C = ATEX sensor 2mt cable
<b>Version</b>	A = Atex
<b>Mounting</b>	KK = side wall brackets and flanges
<b>Flow direction</b>	= from left to right (standard)
<b>L (mm)</b>	175
<b>B (mm)</b>	63

## 3/2-way quick exhaust safety valves with soft start - Series MX SAFEMAX

Product code: MX2-1/2-V1821CA-KK



### DIMENSIONS

<b>Series</b>	MX
<b>Size</b>	2
<b>Connection</b>	1/2 = G1/2
<b>Component</b>	V = 3/2 way valve
<b>Construction</b>	18 = internal piloting, with soft start valve
<b>Channel</b>	2 = single
<b>Accessories</b>	1 = with silencer
<b>Sensors</b>	C = ATEX sensor 2mt cable
<b>Version</b>	A = Atex
<b>Mounting</b>	KK = side wall brackets and flanges
<b>Flow direction</b>	= from left to right (standard)
<b>L (mm)</b>	175
<b>B (mm)</b>	63