

3/2-way quick exhaust double safety valves with soft start - Series MX SAFEMAX

Product code: MX2-1/2-V1841AB

Datasheet creation date: 10/03/2025 01:42

Check the most updated document online [click here](#)

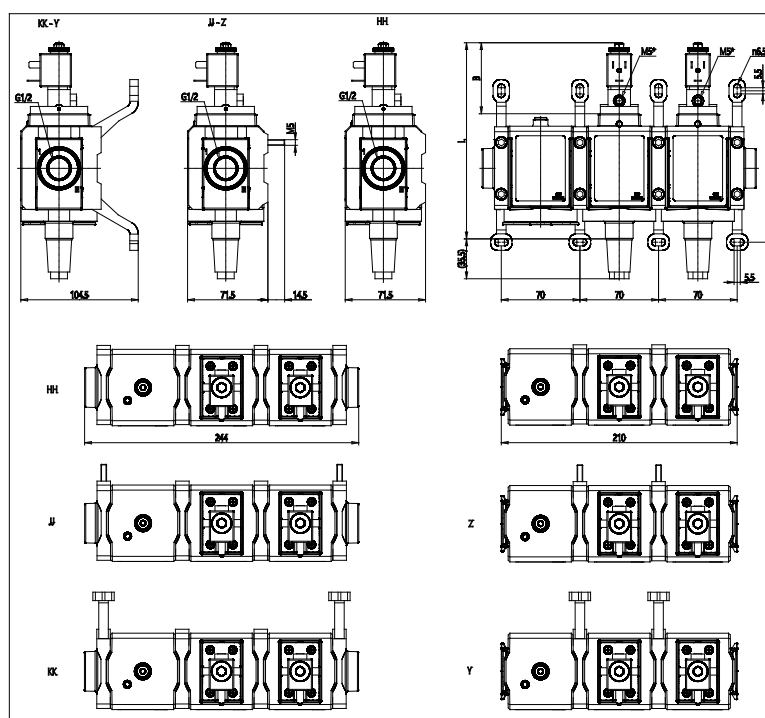


TECHNICAL DATA

| | |
|-----------------------|---|
| Series | MX |
| Size | 2 |
| Connection | 1/2 = G1/2 |
| Component | V = 3/2 way valve |
| Construction | 18 = internal piloting, with soft start valve |
| Channel | 4 = double |
| Accessories | 1 = with silencer |
| Sensors | A = UL sensor 2mt cable |
| Version | B = UL |
| Mounting | = without mounting accessories |
| Flow direction | = from left to right (standard) |
| L (mm) | 175 |
| B (mm) | 63 |

3/2-way quick exhaust double safety valves with soft start - Series MX SAFEMAX

Product code: MX2-1/2-V1841AB



DIMENSIONS

| | |
|-----------------------|---|
| Series | MX |
| Size | 2 |
| Connection | 1/2 = G1/2 |
| Component | V = 3/2 way valve |
| Construction | 18 = internal piloting, with soft start valve |
| Channel | 4 = double |
| Accessories | 1 = with silencer |
| Sensors | A = UL sensor 2mt cable |
| Version | B = UL |
| Mounting | = without mounting accessories |
| Flow direction | = from left to right (standard) |
| L (mm) | 175 |
| B (mm) | 63 |