

## 3/2-way quick exhaust safety valves with soft start - Series MX SAFEMAX

Product code: MX2-1/2-V1921BB

Datasheet creation date: 10/03/2025 01:43

Check the most updated document online [click here](#)

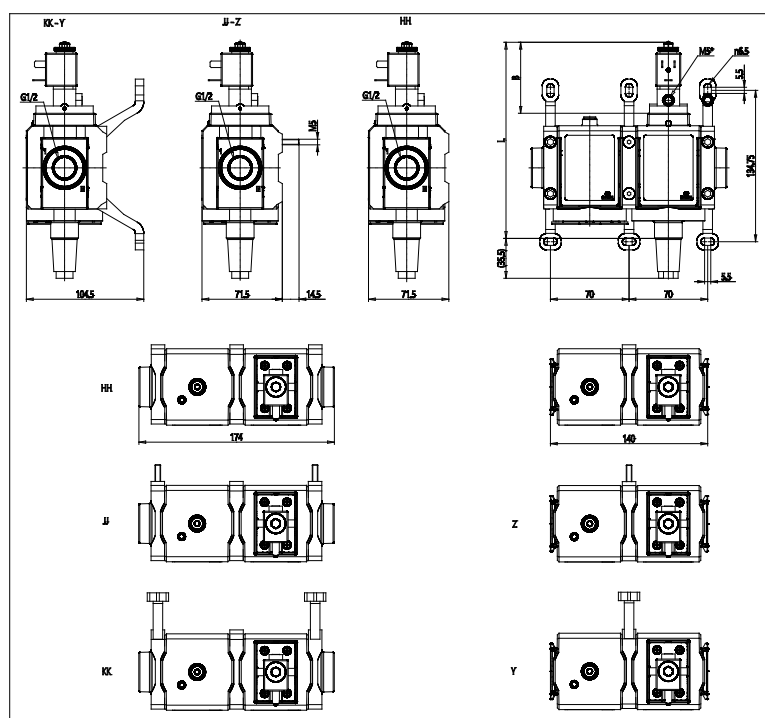


### TECHNICAL DATA

|                       |   |
|-----------------------|---|
| <b>Series</b>         | MX  |
| <b>Size</b>           | 2   |
| <b>Connection</b>     | 1/2 = G1/2                                    |
| <b>Component</b>      | V = 3/2 way valve                             |
| <b>Construction</b>   | 19 = external piloting, with soft start valve |
| <b>Channel</b>        | 2 = single                                    |
| <b>Accessories</b>    | 1 = with silencer                             |
| <b>Sensors</b>        | B = UL sensor 5mt cable                       |
| <b>Version</b>        | B = UL  |
| <b>Mounting</b>       | = without mounting accessories                |
| <b>Flow direction</b> | = from left to right (standard)               |
| <b>L (mm)</b>         | 180.5   |
| <b>B (mm)</b>         | 69  |

## 3/2-way quick exhaust safety valves with soft start - Series MX SAFEMAX

Product code: MX2-1/2-V1921BB



### DIMENSIONS

|                       |   |
|-----------------------|---|
| <b>Series</b>         | MX  |
| <b>Size</b>           | 2   |
| <b>Connection</b>     | 1/2 = G1/2                                    |
| <b>Component</b>      | V = 3/2 way valve                             |
| <b>Construction</b>   | 19 = external piloting, with soft start valve |
| <b>Channel</b>        | 2 = single                                    |
| <b>Accessories</b>    | 1 = with silencer                             |
| <b>Sensors</b>        | B = UL sensor 5mt cable                       |
| <b>Version</b>        | B = UL  |
| <b>Mounting</b>       | = without mounting accessories                |
| <b>Flow direction</b> | = from left to right (standard)               |
| <b>L (mm)</b>         | 180.5   |
| <b>B (mm)</b>         | 69  |