

## 3/2-way quick exhaust safety valves with soft start - Series MX SAFEMAX

Product code: MX2-1/2-V1921EC-Y

Datasheet creation date: 10/03/2025 01:44

Check the most updated document online [click here](#)

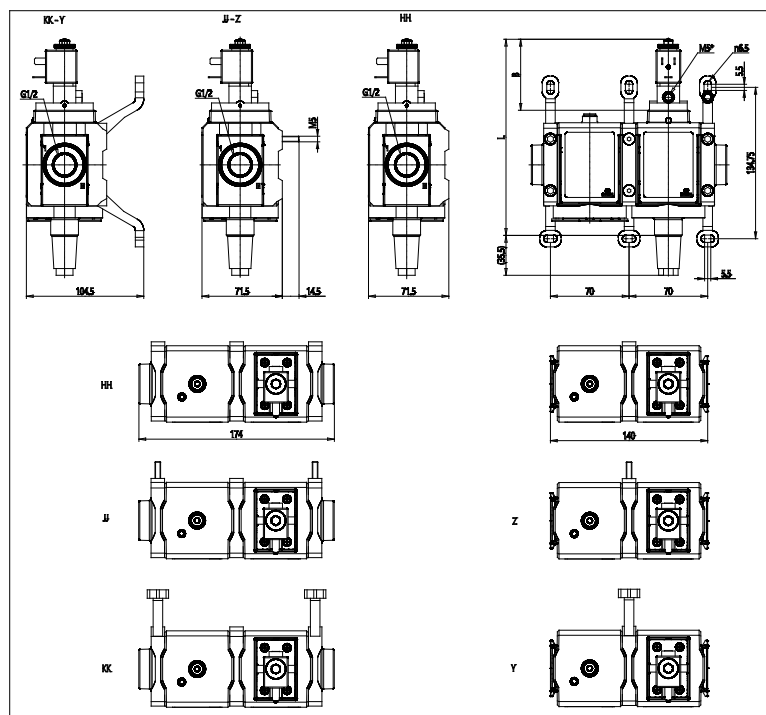


### TECHNICAL DATA

<b>Series</b>	MX
<b>Size</b>	2
<b>Connection</b>	1/2 = G1/2
<b>Component</b>	V = 3/2 way valve
<b>Construction</b>	19 = external piloting, with soft start valve
<b>Channel</b>	2 = single
<b>Accessories</b>	1 = with silencer
<b>Sensors</b>	E = CE sensor with M8 connector and 300mm cable
<b>Version</b>	C = CE
<b>Mounting</b>	Y= central wall bracket
<b>Flow direction</b>	= from left to right (standard)
<b>L (mm)</b>	180.5
<b>B (mm)</b>	69

## 3/2-way quick exhaust safety valves with soft start - Series MX SAFEMAX

Product code: MX2-1/2-V1921EC-Y



### DIMENSIONS

<b>Series</b>	MX
<b>Size</b>	2
<b>Connection</b>	1/2 = G1/2
<b>Component</b>	V = 3/2 way valve
<b>Construction</b>	19 = external piloting, with soft start valve
<b>Channel</b>	2 = single
<b>Accessories</b>	1 = with silencer
<b>Sensors</b>	E = CE sensor with M8 connector and 300mm cable
<b>Version</b>	C = CE
<b>Mounting</b>	Y= central wall bracket
<b>Flow direction</b>	= from left to right (standard)
<b>L (mm)</b>	180.5
<b>B (mm)</b>	69