

## Terminal flanges (IN/OUT) - Series MX

Product code: MX2-3/4-FL

Datasheet creation date: 07/03/2025 16:07

Check the most updated document online [click here](#)

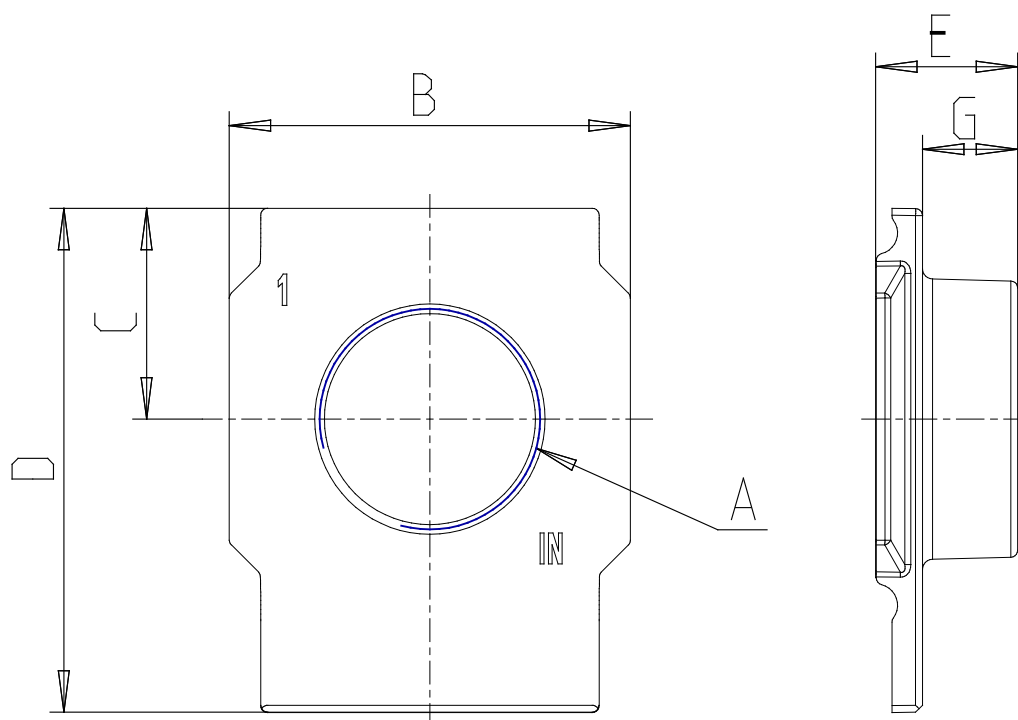


### ■ TECHNICAL DATA

Mod.	MX2-3/4-FL
------	------------

## Terminal flanges (IN/OUT) - Series MX

Product code: MX2-3/4-FL



### DIMENSIONS

<b>A</b>	G 3/4
<b>B (mm)</b>	50
<b>C (mm)</b>	26.5
<b>D (mm)</b>	63.5
<b>E (mm)</b>	17.0
<b>G (mm)</b>	11.0