

Filter-regulators - Series MX

Product code: MX2-3/4-FR0804-LH

Datasheet creation date: 10/03/2025 01:23

Check the most updated document online [click here](#)

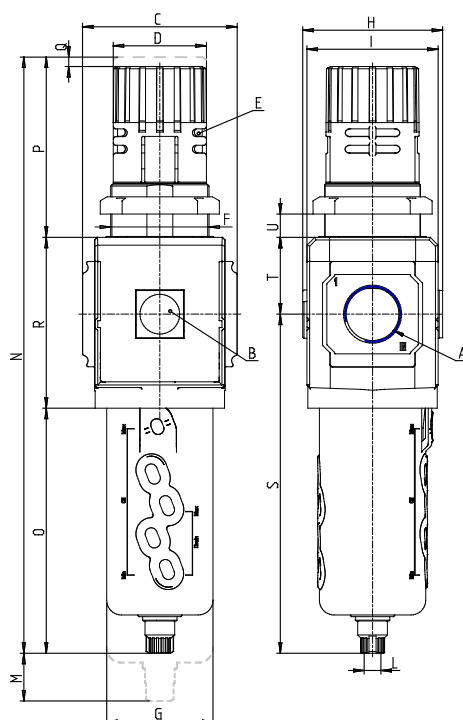


TECHNICAL DATA

Series	MX
Size	2
PORTS (IN - OUT)	3/4 = G3/4
Filter-regulator	FR
Filtering element	0 = 25 µm with relieving (standard)
Draining of condensate	8 = direct G1/8 exhaust
Operating pressure	0 = 0.5 ÷ 10 bar (standard)
Pressure gauge	4 = with built-in pressure gauge 0-12 and working pressure 0.5 ÷ 10 bar (standard)
Flow direction	LH = from right to left

Filter-regulators - Series MX

Product code: MX2-3/4-FR0804-LH



DIMENSIONS

A	G3/4
B (bar)	0-12 bar
C (mm)	70.0
D (mm)	45
E (mm)	Ø4.5
E2 (mm)	9.5
F (mm)	M47x1.5
G (mm)	55.5
H (mm)	74.5
I (mm)	68
L	G 1/8
M (mm)	80
N (mm)	290
O (mm)	127
P (mm)	78
Q (mm)	5
R (mm)	85
S (mm)	174.5
T (mm)	37.5
U (mm)	0÷16
Weight (kg)	0.8