

Rapid clamps kit + flanges - Series MX

Product code: MX2-3/4-HH

Datasheet creation date: 07/03/2025 16:07

Check the most updated document online [click here](#)

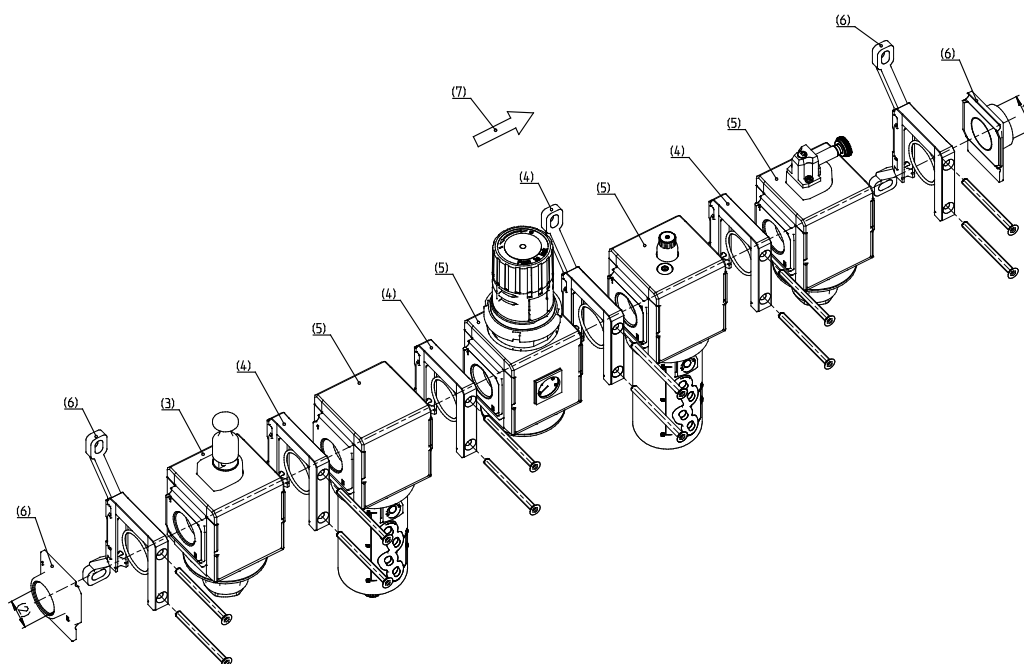


TECHNICAL DATA

(mm)	MX
(mm)	2
	HH
(mm)	= BSP thread
	3/4 = G3/4

Rapid clamps kit + flanges - Series MX

Product code: MX2-3/4-HH



	(1)	(2)	(3)	(4)	(5)	(6)	(7)
MX	3	-				-	

DIMENSIONS

(mm)	MX
(mm)	2
	HH
(mm)	= BSP thread
	3/4 = G3/4