

## Pneumatic pilot operated pressure regulators - Series MX

Product code: MX2-3/4-RCP004

Datasheet creation date: 10/03/2025 01:27

Check the most updated document online [click here](#)

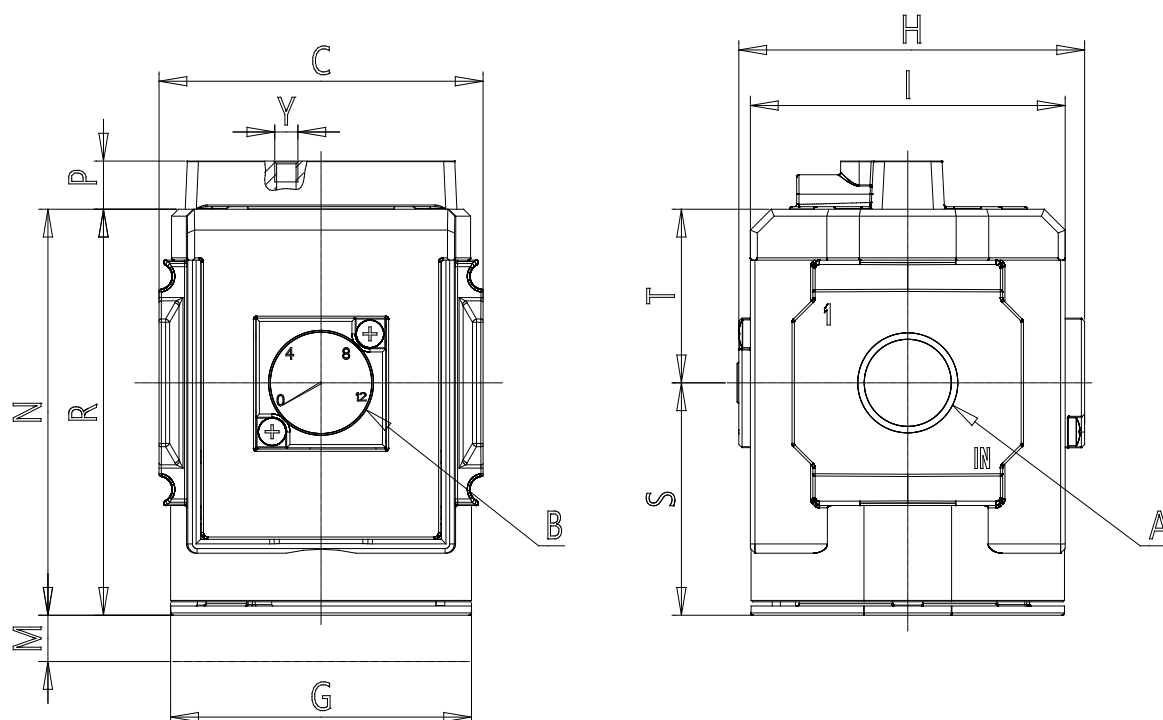


### TECHNICAL DATA

|                          |  |
|--------------------------|--|
| <b>Series</b>            | MX                                     |
| <b>Size</b>              | 2                                      |
| <b>Ports (IN - OUT)</b>  | 3/4 = G3/4                             |
| <b>Type of regulator</b> | R = pressure regulator                 |
| <b>COMMAND</b>           | CP = pneumatic piloting                |
| <b>Working pressure</b>  | 0 = 0.5 ÷ 10 bar                       |
| <b>DESIGN TYPE</b>       | 0 = relieving                          |
| <b>Pressure gauge</b>    | 4 = built-in pressure gauge 0 ÷ 12 bar |
| <b>Flow direction</b>    | = from left to right (standard)        |

## Pneumatic pilot operated pressure regulators - Series MX

Product code: MX2-3/4-RCP004



### DIMENSIONS

|                          |        |
|--------------------------|--------|
| <b>A (mm)</b>            | G3/4   |
| <b>B (mm)</b>            | 0 ÷ 12 |
| <b>C (mm)</b>            | 70     |
| <b>G (mm)</b>            | 65.0   |
| <b>H (mm)</b>            | 74.5   |
| <b>I (mm)</b>            | 68     |
| <b>M (mm)</b>            | 45     |
| <b>Y (piloting) (mm)</b> | M5     |
| <b>N (mm)</b>            | 98     |
| <b>P (mm)</b>            | 10     |
| <b>R (mm)</b>            | 88     |
| <b>S (mm)</b>            | 50.5   |
| <b>T (mm)</b>            | 37.5   |
| <b>Weight (kg)</b>       | 0.5    |