

Coalescing filters - Series MX

Product code: MX2-3/8-FC001

Datasheet creation date: 10/03/2025 01:17

Check the most updated document online [click here](#)

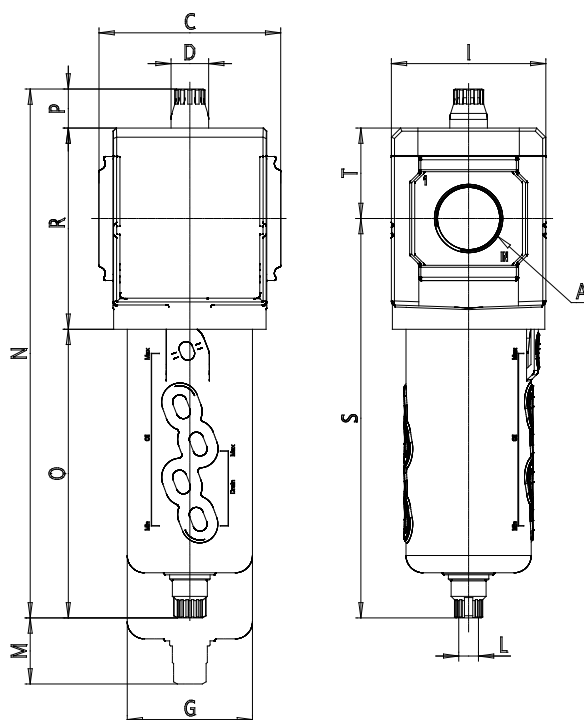


TECHNICAL DATA

| | |
|----------------------------------|---------------------------------|
| Series | MX |
| Size | 2 |
| Ports (IN - OUT) | 3/8 = G3/8 |
| Coalescing filter | FC |
| Filtering element | 0 = 0.01 µm (standard) |
| Draining of condensate | 0 = semiautomatic-manual drain |
| Visual blockage indicator | 1 = present |
| Flow direction | = from left to right (standard) |

Coalescing filters - Series MX

Product code: MX2-3/8-FC001



DIMENSIONS

| | |
|--------------------|-------|
| A | G3/8 |
| C (mm) | 70.0 |
| D (mm) | 18.5 |
| G (mm) | 55.3 |
| I (mm) | 68 |
| L | G 1/8 |
| M (mm) | 75 |
| N (mm) | 231 |
| O (mm) | 127 |
| P (mm) | 19.5 |
| R (mm) | 85 |
| S (mm) | 174.5 |
| T (mm) | 37.5 |
| Weight (kg) | 0.5 |