

## Filter-regulators - Series MX

Product code: MX2-3/8-FR1070

Datasheet creation date: 10/03/2025 01:25

Check the most updated document online [click here](#)

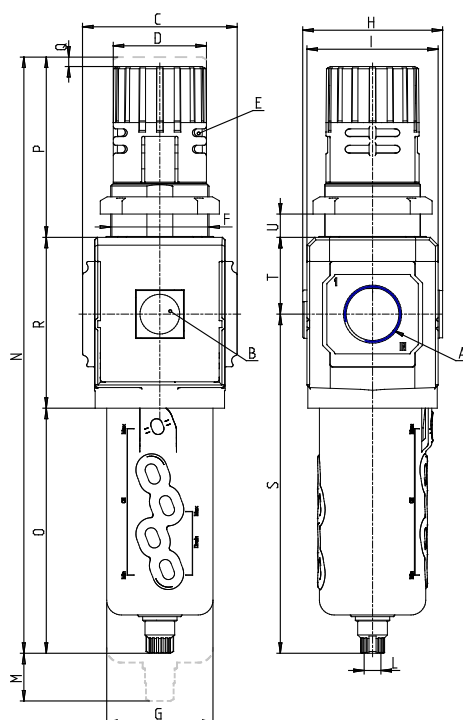


### TECHNICAL DATA

<b>Series</b>	MX
<b>Size</b>	2
<b>PORTS (IN - OUT)</b>	3/8 = G3/8
<b>Filter-regulator</b>	FR
<b>Filtering element</b>	1 = 5 µm with relieving
<b>Draining of condensate</b>	0 = semiautomatic-manual drain (standard - only for polymer bowl)
<b>Operating pressure</b>	7 = 0.5 ÷ 7 bar
<b>Pressure gauge</b>	0 = without pressure gauge (with threaded port)
<b>Flow direction</b>	= from left to right (standard)

## Filter-regulators - Series MX

Product code: MX2-3/8-FR1070



### DIMENSIONS

<b>A</b>	G3/8
<b>B (bar)</b>	0-12 bar
<b>C (mm)</b>	70.0
<b>D (mm)</b>	45
<b>E (mm)</b>	Ø4.5
<b>E2 (mm)</b>	9.5
<b>F (mm)</b>	M47x1.5
<b>G (mm)</b>	55.5
<b>H (mm)</b>	74.5
<b>I (mm)</b>	68
<b>L</b>	G 1/8
<b>M (mm)</b>	80
<b>N (mm)</b>	290
<b>O (mm)</b>	127
<b>P (mm)</b>	78
<b>Q (mm)</b>	5
<b>R (mm)</b>	85
<b>S (mm)</b>	174.5
<b>T (mm)</b>	37.5
<b>U (mm)</b>	0÷16
<b>Weight (kg)</b>	0.8