

## Fixing bracket for pressure regulator - Series MX

Product code: MX2-S

Datasheet creation date: 20/05/2026 08:46

Check the most updated document online [click here](#)

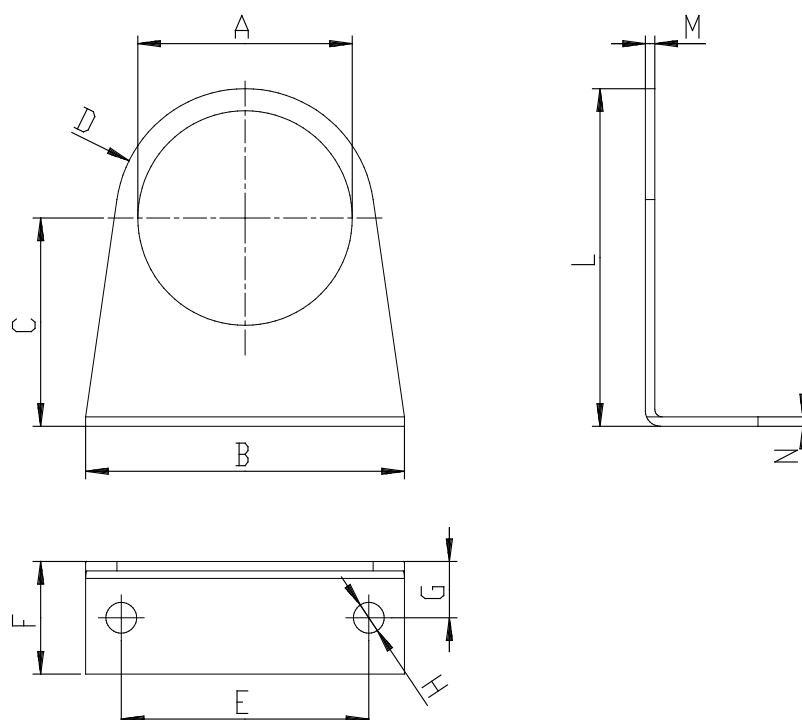


### ■ TECHNICAL DATA

Mod.	MX2-S
------	-------

## Fixing bracket for pressure regulator - Series MX

Product code: MX2-S



### DIMENSIONS

<b>A (mm)</b>	Ø 47.2
<b>B (mm)</b>	73
<b>C (mm)</b>	60.5
<b>D (mm)</b>	R29.5
<b>E (mm)</b>	54
<b>F (mm)</b>	25
<b>G (mm)</b>	15
<b>H (mm)</b>	Ø 6.2
<b>L (mm)</b>	90
<b>M (mm)</b>	2.5
<b>N (mm)</b>	2.5