

Filters - Series MX

Product code: MX3-1-F00

Datasheet creation date: 10/03/2025 01:14

Check the most updated document online [click here](#)

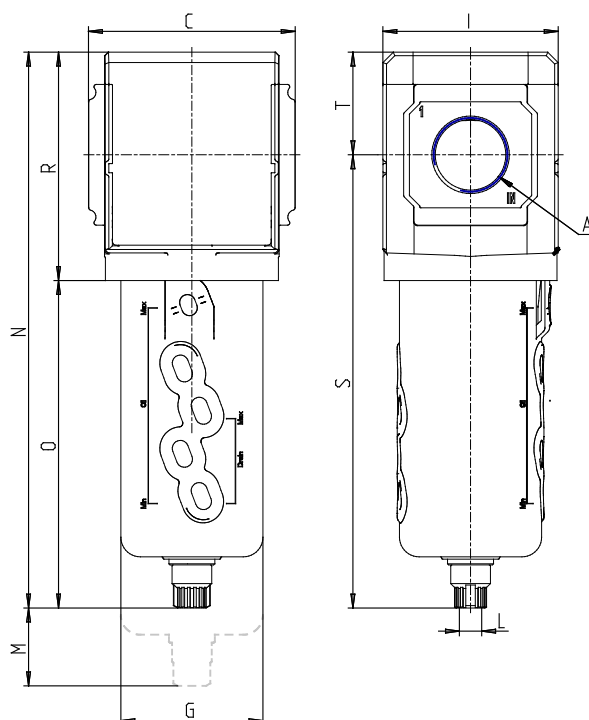


TECHNICAL DATA

Series	MX
Size	3
Ports (IN - OUT)	1 = G1
Filter	F
Filtering element	0 = 25 µm (standard)
Draining of condensate	0 = semiautomatic-manual drain
Visual blockage indicator	= not present
Flow direction	= from left to right (standard)

Filters - Series MX

Product code: MX3-1-F00



DIMENSIONS

A	G1
C (mm)	89.5
D (mm)	18.5
G (mm)	61.5
I (mm)	76
L	G 1/8
M (mm)	95
N (mm)	241.0
O (mm)	142.0
P (mm)	19.5
R (mm)	99
S (mm)	196.5
T (mm)	44.5
Weight (kg)	0.8