

Coalescing filters - Series MX

Product code: MX3-1-FC03-LH

Datasheet creation date: 10/03/2025 01:17

Check the most updated document online [click here](#)

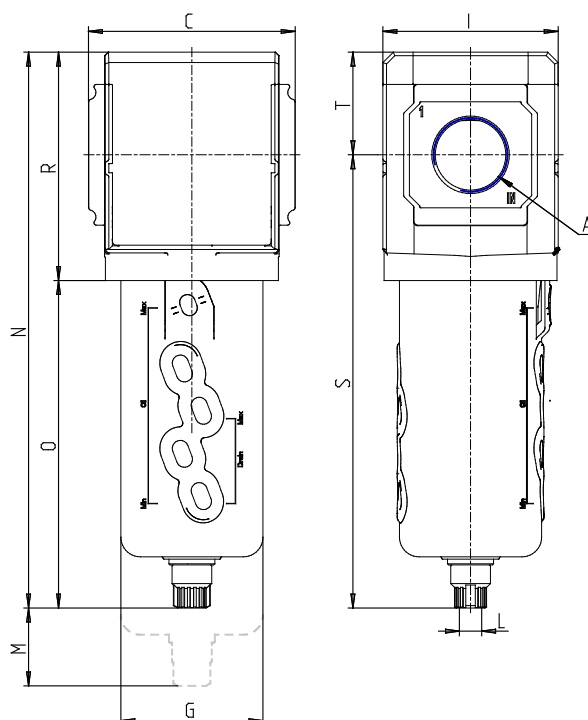


TECHNICAL DATA

| | |
|----------------------------------|-------------------------|
| Series | MX |
| Size | 3 |
| Ports (IN - OUT) | 1 = G1 |
| Coalescing filter | FC |
| Filtering element | 0 = 0.01 µm (standard) |
| Draining of condensate | 3 = automatic drain |
| Visual blockage indicator | = not present |
| Flow direction | LH = from right to left |

Coalescing filters - Series MX

Product code: MX3-1-FC03-LH



DIMENSIONS

| | |
|--------------------|-------|
| A | G1 |
| C (mm) | 89.5 |
| D (mm) | 18.5 |
| G (mm) | 61.5 |
| I (mm) | 76 |
| L | G 1/8 |
| M (mm) | 90 |
| N (mm) | 241 |
| O (mm) | 142 |
| P (mm) | 19.5 |
| R (mm) | 99 |
| S (mm) | 196.5 |
| T (mm) | 44.5 |
| Weight (kg) | 0.8 |