

## Coalescing filters - Series MX

Product code: MX3-1-FC18

Datasheet creation date: 10/03/2025 01:18

Check the most updated document online [click here](#)

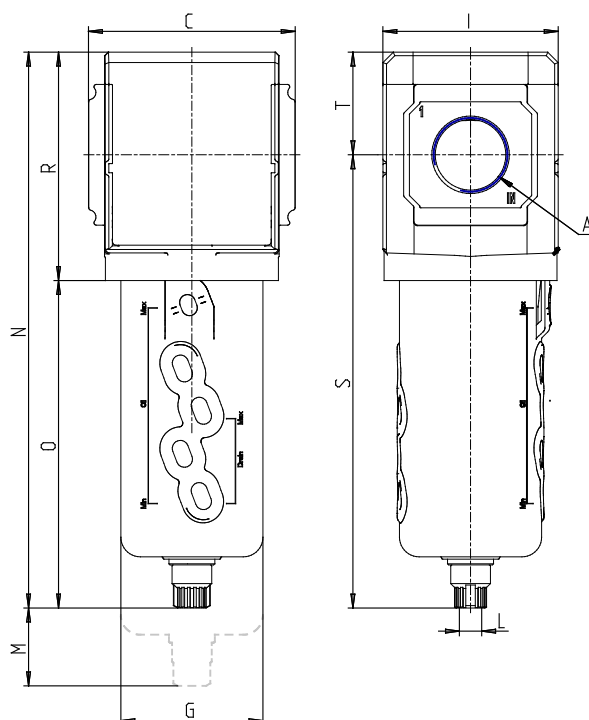


### TECHNICAL DATA

<b>Series</b>	MX
<b>Size</b>	3
<b>Ports (IN - OUT)</b>	1 = G1
<b>Coalescing filter</b>	FC
<b>Filtering element</b>	1 = 1 µm
<b>Draining of condensate</b>	8 = direct G1/8 exhaust
<b>Visual blockage indicator</b>	= not present
<b>Flow direction</b>	= from left to right (standard)

## Coalescing filters - Series MX

Product code: MX3-1-FC18



### DIMENSIONS

<b>A</b>	G1
<b>C (mm)</b>	89.5
<b>D (mm)</b>	18.5
<b>G (mm)</b>	61.5
<b>I (mm)</b>	76
<b>L</b>	G 1/8
<b>M (mm)</b>	90
<b>N (mm)</b>	241
<b>O (mm)</b>	142
<b>P (mm)</b>	19.5
<b>R (mm)</b>	99
<b>S (mm)</b>	196.5
<b>T (mm)</b>	44.5
<b>Weight (kg)</b>	0.8