

Terminal flanges (IN/OUT) - Series MX

Product code: MX3-1-FL

Datasheet creation date: 07/03/2025 16:07

Check the most updated document online [click here](#)

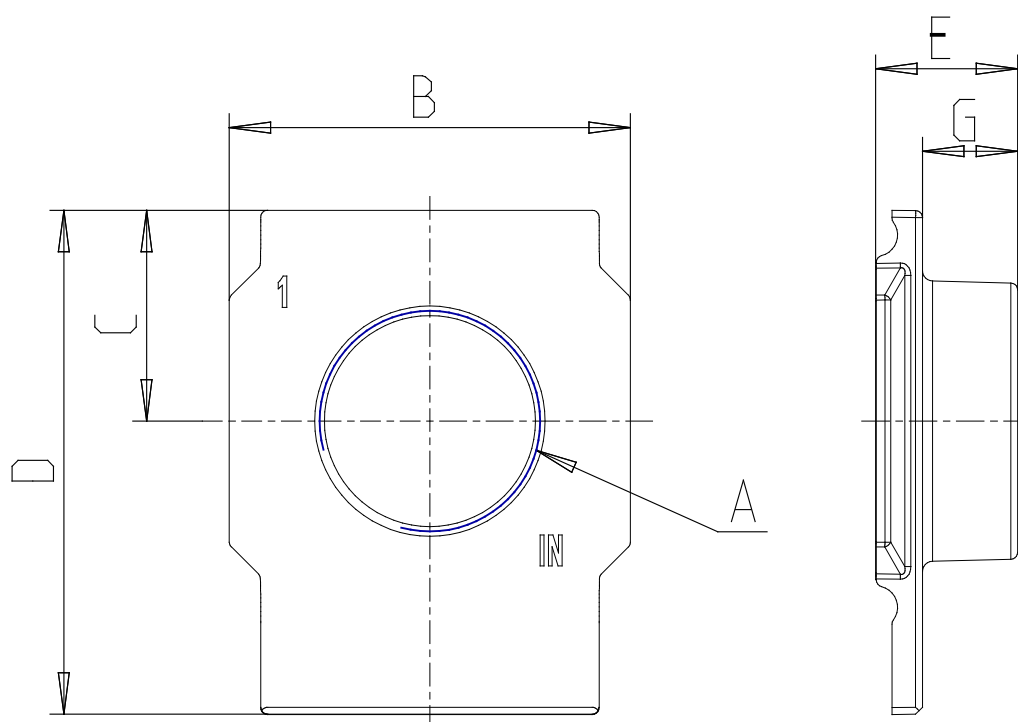


■ TECHNICAL DATA

Mod.	MX3-1-FL
------	----------

Terminal flanges (IN/OUT) - Series MX

Product code: MX3-1-FL



DIMENSIONS

A	G 1
B (mm)	58
C (mm)	30.5
D (mm)	73.0
E (mm)	20.5
G (mm)	13.5