

## Filter-regulators - Series MX

Product code: MX3-1-FR2000

Datasheet creation date: 10/03/2025 01:19

Check the most updated document online [click here](#)

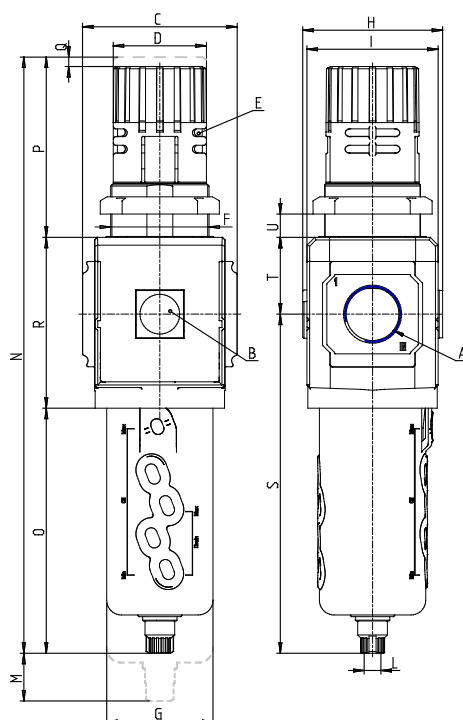


### TECHNICAL DATA

<b>Series</b>	MX
<b>Size</b>	3
<b>PORTS (IN - OUT)</b>	1 = G1
<b>Filter-regulator</b>	FR
<b>Filtering element</b>	2 = 25 µm without relieving
<b>Draining of condensate</b>	0 = semiautomatic-manual drain (standard - only for polymer bowl)
<b>Operating pressure</b>	0 = 0.5 ÷ 10 bar (standard)
<b>Pressure gauge</b>	0 = without pressure gauge (with threaded port)
<b>Flow direction</b>	= from left to right (standard)

## Filter-regulators - Series MX

Product code: MX3-1-FR2000



### DIMENSIONS

A	G1
B (bar)	0-12 bar
C (mm)	89.5
D (mm)	54
E (mm)	Ø4
E2 (mm)	8.0
F (mm)	M57x1.5
G (mm)	61.5
H (mm)	81.0
I (mm)	76
L	G 1/8
M (mm)	95
N (mm)	345
O (mm)	142
P (mm)	104
Q (mm)	5
R (mm)	99
S (mm)	196.5
T (mm)	44.5
U (mm)	0±20
Weight (kg)	1.3