

Rapid clamps kit + flanges - Series MX

Product code: MX3-1-KK

Datasheet creation date: 19/05/2026 08:55

Check the most updated document online [click here](#)

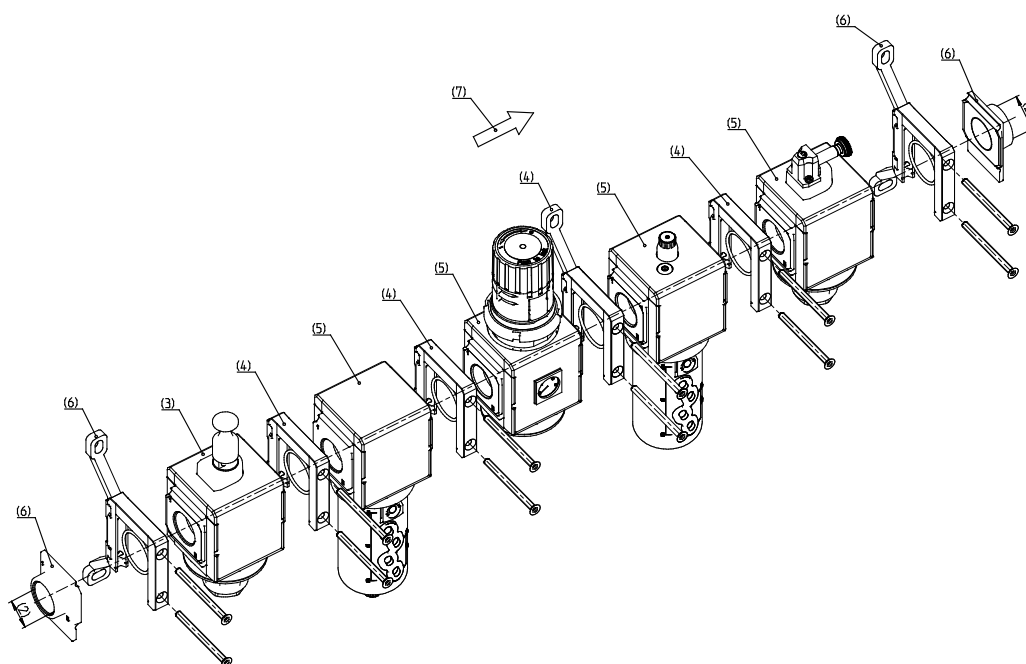


TECHNICAL DATA

| | |
|------|--------------|
| (mm) | MX |
| (mm) | 3 |
| | KK |
| (mm) | = BSP thread |
| | 1= G 1 |

Rapid clamps kit + flanges - Series MX

Product code: MX3-1-KK



| | | | | | | | |
|----|-----|-----|-----|-----|-----|-----|-----|
| | (1) | (2) | (3) | (4) | (5) | (6) | (7) |
| MX | 3 | - | | | | - | |

DIMENSIONS

| | |
|------|--------------|
| (mm) | MX |
| (mm) | 3 |
| | KK |
| (mm) | = BSP thread |
| | 1= G 1 |