

## Lubricators - Series MX

Product code: MX3-1-L00

Datasheet creation date: 10/03/2025 01:27

Check the most updated document online [click here](#)

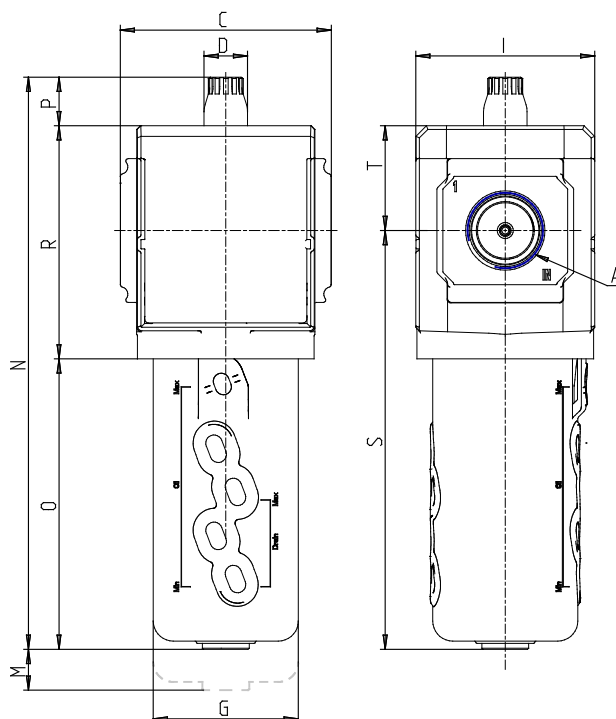


### TECHNICAL DATA

<b>Series</b>	MX
<b>Size</b>	3
<b>Ports (IN - OUT)</b>	1 = G1
<b>Lubricator</b>	L
<b>Design type</b>	00 = atomized oil
<b>Flow direction</b>	= from left to right (standard)

## Lubricators - Series MX

Product code: MX3-1-L00



### DIMENSIONS

<b>A</b>	G1
<b>C (mm)</b>	89.5
<b>D (mm)</b>	18.5
<b>G (mm)</b>	61.5
<b>I (mm)</b>	76
<b>M (mm)</b>	130
<b>N (mm)</b>	243
<b>O (mm)</b>	123.0
<b>P (mm)</b>	21.0
<b>R (mm)</b>	99
<b>S (mm)</b>	178
<b>T (mm)</b>	44.5
<b>Weight (kg)</b>	0.8