

Pressure regulators - Series MX

Product code: MX3-1-R030

Datasheet creation date: 10/03/2025 01:30

Check the most updated document online [click here](#)

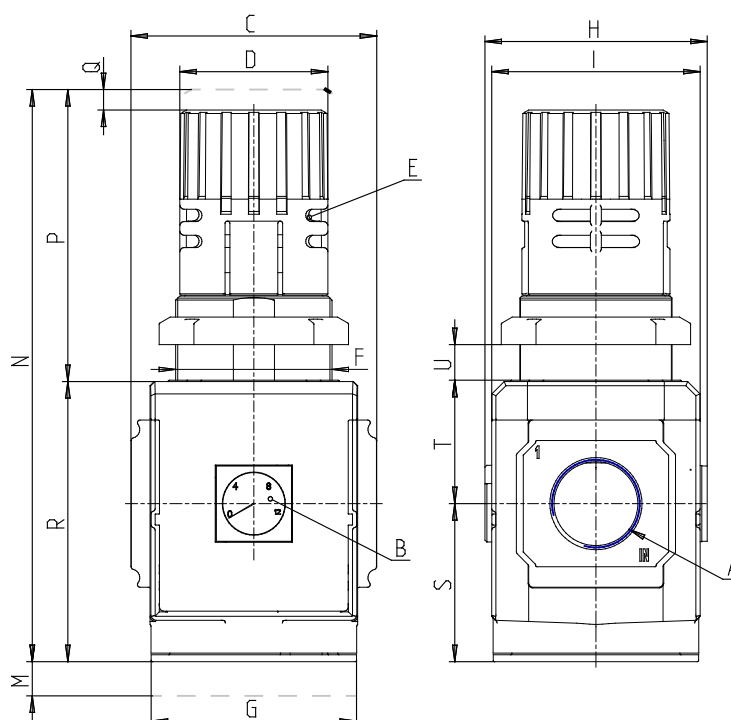


TECHNICAL DATA

| | |
|---------------------------|---|
| Series | MX |
| Size | 3 |
| PORTS (IN - OUT) | 1 = G1 |
| Type of regulator | R = pressure regulator |
| Operating pressure | 0 = 0.5 ÷ 10 bar (standard) |
| Design type | 3 = without relieving, with by-pass valve |
| Pressure gauge | 0 = without pressure gauge (with threaded port) |
| Flow direction | = from left to right (standard) |

Pressure regulators - Series MX

Product code: MX3-1-R030



DIMENSIONS

| | |
|--------------------|----------|
| A | G1 |
| B (bar) | 0-12 bar |
| C (mm) | 89.5 |
| D (mm) | 54 |
| F (mm) | M57x1.5 |
| G (mm) | 75 |
| H (mm) | 81.0 |
| I (mm) | 76 |
| M (mm) | 45 |
| N (mm) | 206 |
| P (mm) | 104 |
| Q (mm) | 5 |
| R (mm) | 102 |
| S (mm) | 57.5 |
| T (mm) | 44.5 |
| U (mm) | 0±20 |
| Weight (kg) | 1 |