

## Pressure regulators - Series MX

Product code: MX3-1-R402

Datasheet creation date: 10/03/2025 01:30

Check the most updated document online [click here](#)

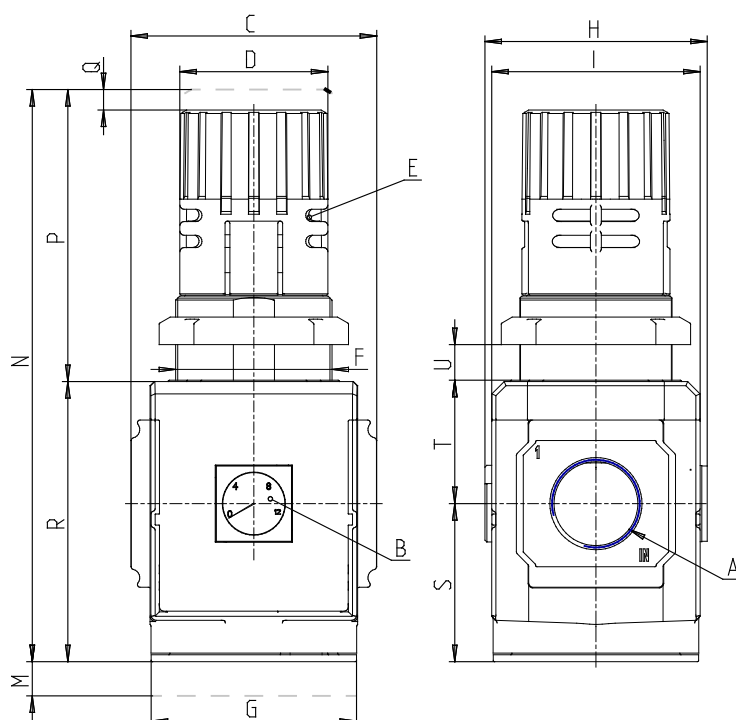


### TECHNICAL DATA

<b>Series</b>	MX
<b>Size</b>	3
<b>PORTS (IN - OUT)</b>	1 = G1
<b>Type of regulator</b>	R = pressure regulator
<b>Operating pressure</b>	4 = 0.5 ÷ 4 bar
<b>Design type</b>	0 = relieving (standard)
<b>Pressure gauge</b>	2 = with built-in pressure gauge 0-6 and working pressure 0.5 ÷ 4 bar
<b>Flow direction</b>	= from left to right (standard)

## Pressure regulators - Series MX

Product code: MX3-1-R402



### DIMENSIONS

A	G1
B (bar)	0-12 bar
C (mm)	89.5
D (mm)	54
F (mm)	M57x1.5
G (mm)	75
H (mm)	81.0
I (mm)	76
M (mm)	45
N (mm)	206
P (mm)	104
Q (mm)	5
R (mm)	102
S (mm)	57.5
T (mm)	44.5
U (mm)	0±20
Weight (kg)	1