

## Pressure regulators - Series MX

Product code: MX3-1-R412

Datasheet creation date: 10/03/2025 01:30

Check the most updated document online [click here](#)

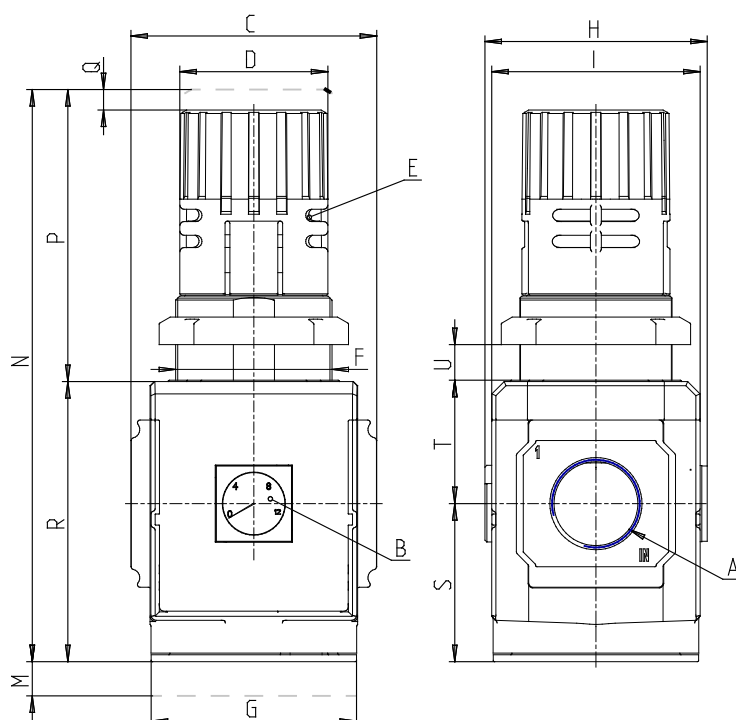


### TECHNICAL DATA

<b>Series</b>	MX
<b>Size</b>	3
<b>PORTS (IN - OUT)</b>	1 = G1
<b>Type of regulator</b>	R = pressure regulator
<b>Operating pressure</b>	4 = 0.5 ÷ 4 bar
<b>Design type</b>	1 = without relieving
<b>Pressure gauge</b>	2 = with built-in pressure gauge 0-6 and working pressure 0.5 ÷ 4 bar
<b>Flow direction</b>	= from left to right (standard)

## Pressure regulators - Series MX

Product code: MX3-1-R412



### DIMENSIONS

<b>A</b>	G1
<b>B (bar)</b>	0-12 bar
<b>C (mm)</b>	89.5
<b>D (mm)</b>	54
<b>F (mm)</b>	M57x1.5
<b>G (mm)</b>	75
<b>H (mm)</b>	81.0
<b>I (mm)</b>	76
<b>M (mm)</b>	45
<b>N (mm)</b>	206
<b>P (mm)</b>	104
<b>Q (mm)</b>	5
<b>R (mm)</b>	102
<b>S (mm)</b>	57.5
<b>T (mm)</b>	44.5
<b>U (mm)</b>	0÷20
<b>Weight (kg)</b>	1