

Filter-regulators - Series MX

Product code: MX3-3/4-FR0300-LH

Datasheet creation date: 10/03/2025 01:26

Check the most updated document online [click here](#)

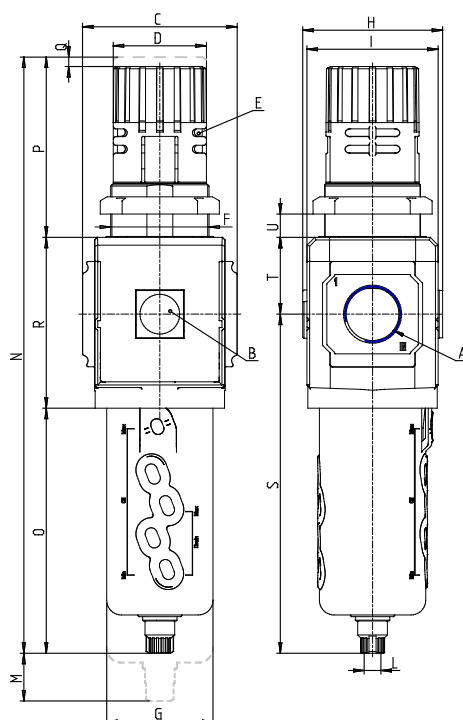


TECHNICAL DATA

Series	MX
Size	3
PORTS (IN - OUT)	3/4 = G3/4
Filter-regulator	FR
Filtering element	0 = 25 µm with relieving (standard)
Draining of condensate	3 = automatic drain
Operating pressure	0 = 0.5 ÷ 10 bar (standard)
Pressure gauge	0 = without pressure gauge (with threaded port)
Flow direction	LH = from right to left

Filter-regulators - Series MX

Product code: MX3-3/4-FR0300-LH



DIMENSIONS

A	G3/4
B (bar)	0-12 bar
C (mm)	89.5
D (mm)	54
E (mm)	Ø4
E2 (mm)	8.0
F (mm)	M57x1.5
G (mm)	61.5
H (mm)	81.0
I (mm)	76
L	G 1/8
M (mm)	95
N (mm)	345
O (mm)	142
P (mm)	104
Q (mm)	5
R (mm)	99
S (mm)	196.5
T (mm)	44.5
U (mm)	0÷20
Weight (kg)	1.3