

Pressure regulators - Series MX

Product code: MX3-3/4-R014

Datasheet creation date: 10/03/2025 01:30

Check the most updated document online [click here](#)

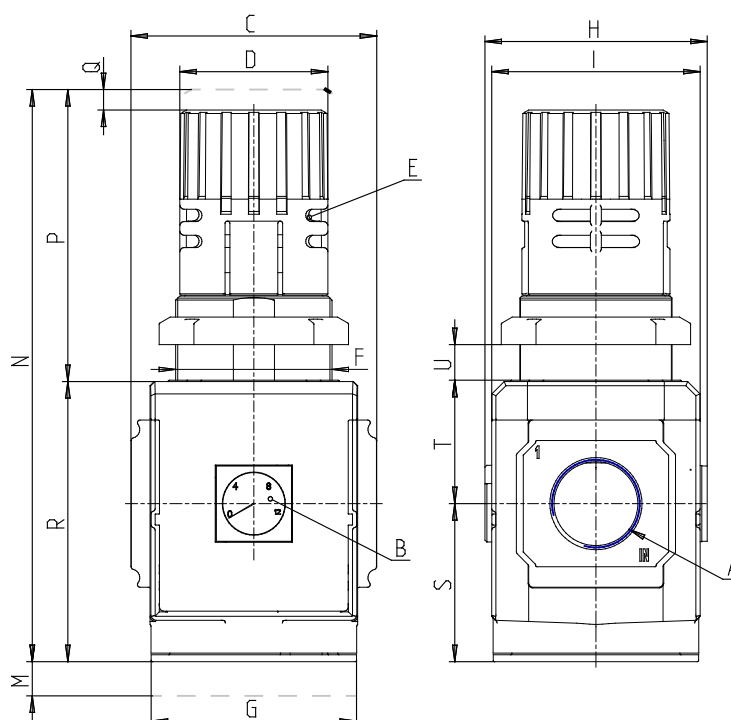


TECHNICAL DATA

Series	MX
Size	3
PORTS (IN - OUT)	3/4 = G3/4
Type of regulator	R = pressure regulator
Operating pressure	0 = 0.5 ÷ 10 bar (standard)
Design type	1 = without relieving
Pressure gauge	4 = with built-in pressure gauge 0-12 and working pressure 0.5 ÷ 10 bar (standard)
Flow direction	= from left to right (standard)

Pressure regulators - Series MX

Product code: MX3-3/4-R014



DIMENSIONS

A	G3/4
B (bar)	0-12 bar
C (mm)	89.5
D (mm)	54
F (mm)	M57x1.5
G (mm)	75
H (mm)	81.0
I (mm)	76
M (mm)	45
N (mm)	206
P (mm)	104
Q (mm)	5
R (mm)	102
S (mm)	57.5
T (mm)	44.5
U (mm)	0±20
Weight (kg)	1