

Isolation 3/2-way valves - Series MX

Product code: MX3-3/4-V36

Datasheet creation date: 19/05/2026 17:39

Check the most updated document online [click here](#)

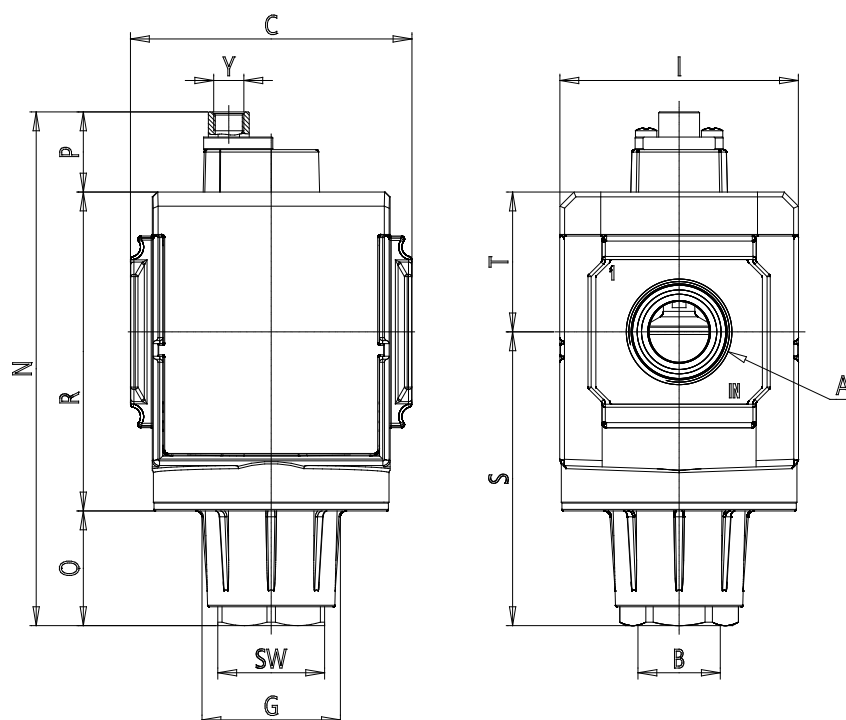


TECHNICAL DATA

Series	MX
Size	3
Ports (IN - OUT)	3/4 = G3/4
3/2-way valve	V
Design type	36 = pneumatic control
Flow direction	= from left to right (standard)

Isolation 3/2-way valves - Series MX

Product code: MX3-3/4-V36



DIMENSIONS

	G3/4
(mm)	G 3/4
(mm)	89.5
(mm)	-
(mm)	48.0
(mm)	76
(mm)	-
(mm)	-
(mm)	164.0
(mm)	37
(mm)	25.5
(mm)	-
(mm)	102
(mm)	94.5
(mm)	34
(mm)	44.5
	-
Y (piloting)	G1/8
Weight (kg)	0.9