

## - Built-in pressure gauges

Product code: MX3-R31/W-P

Datasheet creation date: 07/03/2025 16:08

Check the most updated document online [click here](#)

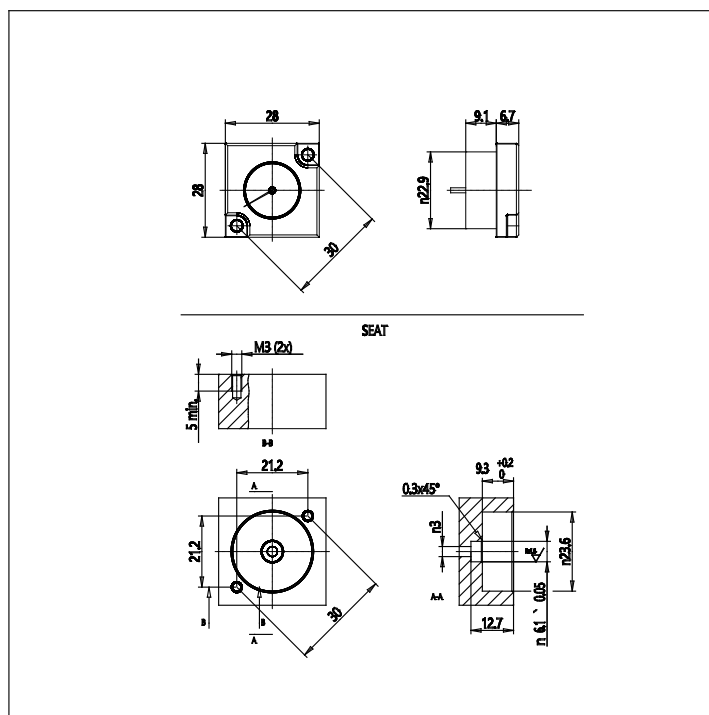


### ■ TECHNICAL DATA

|                       |             |
|-----------------------|-------------|
| <b>Mod.</b>           | MX3-R31/W-P |
| <b>Pressure range</b> | 0 ÷ 6 bar   |

## - Built-in pressure gauges

Product code: MX3-R31/W-P



### DIMENSIONS

|                       |             |
|-----------------------|-------------|
| <b>Mod.</b>           | MX3-R31/W-P |
| <b>Pressure range</b> | 0 ÷ 6 bar   |